

Technical Information

Proline Promag D 10

Electromagnetic flowmeter



Highly cost-effective wafer flowmeter with easy-to-use operation concept

Application

- The bidirectional measuring principle is virtually independent of pressure, density, temperature and viscosity
- For basic water applications; optimized for limited space and plastic pipe installations

Device properties

- Short installation length and low weight
- Integrated ground disks made of stainless steel
- International drinking water approvals
- System integration with HART, Modbus RS485
- Flexible operation with app and optional display

Your benefits

- Easy, fast centering of the sensor – innovative housing construction
- Energy-saving flow measurement – no pressure loss due to cross section constriction
- Maintenance-free – no moving parts
- Optimum usability – operation with mobile devices and SmartBlue app or display with touch screen
- Simple, time-saving commissioning – guided parameterization in advance and in the field
- Integrated verification – Heartbeat Technology

Table of contents





About this document	4	Electromagnetic compatibility (EMC)	43
Symbols	4		
Related documentation	4		
Ordering information	4		
Registered trademarks	6		
Function and system design	8	Process	46
Measuring principle	8	Medium temperature range	46
Product design	8	Conductivity	46
IT security	9	Flow limit	46
Device-specific IT security	10	Pressure-temperature ratings	47
		Pressure tightness	47
		Pressure loss	47
Input	12	Mechanical construction	50
Measured variable	12	Weight	50
Operable flow range	12	Measuring tube specification	51
Measuring range	12	Materials	52
		Mounting bolts	53
		Fitted electrodes	53
		Process connections	54
Output	14	Dimensions in SI units	56
Output versions	14	Compact version	56
Output signal	14	Remote version	58
Signal on alarm	17	Flange connections	61
Low flow cut off	17	Couplings	64
Galvanic isolation	17	Accessories	65
Protocol-specific data	17		
		Dimensions in US units	68
Energy supply	22	Compact version	68
Terminal assignment	22	Remote version	70
Supply voltage	22	Flange connections	73
Power consumption	23	Couplings	74
Current consumption	23	Accessories	75
Power supply failure	23		
Electrical connection	23	Local display	78
Potential equalization	27	Operation concept	78
Terminals	28	Operation options	78
Cable entries	28	Operating tools	79
Overvoltage protection	28		
		Certificates and approvals	82
Cable specification	30	Non-Ex approval	82
Requirements for connecting cable	30	Pressure Equipment Directive	82
Ground cable requirements	30	Drinking water approval	82
Connecting cable requirements	30	HART certification	82
		Radio approval	82
Performance characteristics	34	External standards and guidelines	82
Reference operating conditions	34		
Maximum measurement error	34	Application packages	86
Repeatability	34	Use	86
Influence of ambient temperature	34	Heartbeat Verification + Monitoring	86
Installation	36	Accessories	88
Installation conditions	36	Device-specific accessories	88
		Communication-specific accessories	89
Environment	42	Service-specific accessory	89
Ambient temperature range	42	System components	90
Storage temperature	42		
Relative humidity	42		
Operating height	42		
Degree of protection	42		
Vibration-resistance and shock-resistance	42		

About this document








Symbols	4
Related documentation	4
Ordering information	4
Registered trademarks	6

Symbols



Electronics

-  Direct current
-  Alternating current
-  Direct current and alternating current
-  Terminal connection for potential equalization

Types of information

-  Preferred procedures, processes or actions
-  Permitted procedures, processes or actions
-  Forbidden procedures, processes or actions
-  Additional information
-  Reference to documentation
-  Reference to page
-  Reference to graphic

Explosion protection

-  Hazardous area
-  Non-hazardous area

Related documentation

Technical information	Overview of the device with the most important technical data.
Operating instructions	All the information that is required in the various phases of the life cycle of the device: from product identification, incoming acceptance and storage, to mounting, connection, operation and commissioning through to troubleshooting, maintenance and disposal as well as the technical data and dimensions.
Sensor Brief Operating Instructions	Incoming acceptance, transport, storage and mounting of the device.
Transmitter Brief Operating Instructions	Electrical connection and commissioning of the device.
Description of Parameters	Detailed explanation of the menus and parameters.
Safety Instructions	Documents for the use of the device in hazardous areas.
Special Documentation	Documents with more detailed information on specific topics.
Installation Instructions	Installation of spare parts and accessories.



The device documentation is available online on the device product page and in the Downloads area: www.endress.com

Ordering information

Detailed ordering information is available from your nearest sales organization www.addresses.endress.com or in the Product Configurator at www.endress.com:

1. Select the product using the filters and search field.
2. Open the product page.

3. Select **Configuration**.



Product Configurator - the tool for individual product configuration

- Up-to-the-minute configuration data
- Depending on the device: Direct input of measuring point-specific information such as measuring range or operating language
- Automatic verification of exclusion criteria
- Automatic creation of the order code and its breakdown in PDF or Excel output format
- Ability to order directly in the Endress+Hauser Online Shop

Registered trademarks

HART®

Registered trademark of the FieldComm Group, Austin, Texas USA

Modbus®

Registered trademark of SCHNEIDER AUTOMATION, INC.

Bluetooth®

The Bluetooth word mark and Bluetooth logos are registered trademarks of Bluetooth SIG. Inc. and any use of such marks by Endress+Hauser is under license. Other trademarks and trade names are those of their respective owners.

Apple®

Apple, the Apple logo, iPhone, and iPod touch are trademarks of Apple Inc., registered in the U.S. and other countries. App Store is a service mark of Apple Inc.

Android®

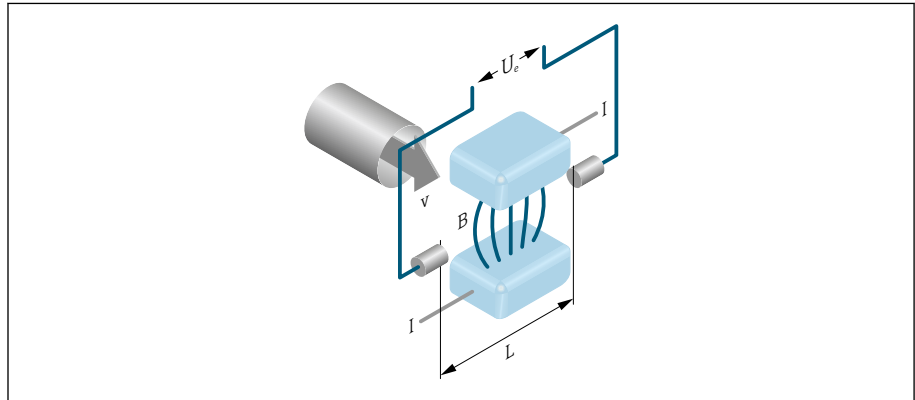
Android, Google Play and the Google Play logo are trademarks of Google Inc.

Function and system design

Measuring principle	8
Product design	8
IT security	9
Device-specific IT security	10

Measuring principle

Following *Faraday's law of magnetic induction*, a voltage is induced in a conductor moving through a magnetic field.



A0028962

- U_e* Induced voltage
B Magnetic induction (magnetic field)
L Electrode spacing
I Current
v Flow velocity

In the electromagnetic measuring principle, the flowing medium is the moving conductor. The voltage induced (U_e) is proportional to the flow velocity (v) and is supplied to the amplifier by means of two measuring electrodes. The flow volume (Q) is calculated via the pipe cross-section (A). The DC magnetic field is generated by a switched direct current of alternating polarity.

Formulae for calculation

- Induced voltage $U_e = B \cdot L \cdot v$
- Volume flow $Q = A \cdot v$

Product design

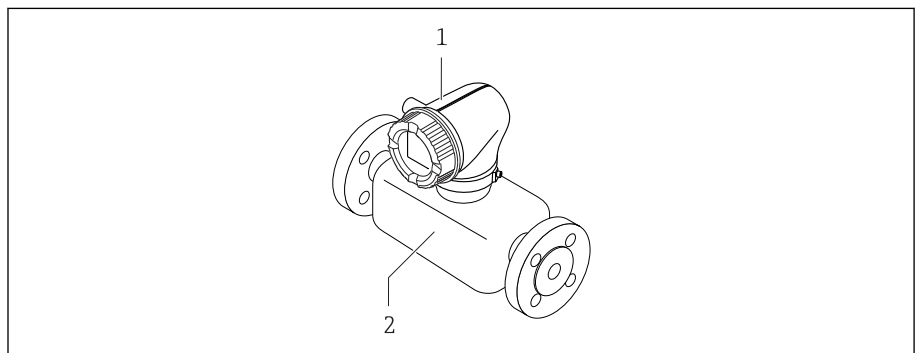
The device consists of a transmitter and a sensor.

Two device versions are available:

- Compact version – transmitter and sensor form a mechanical unit.
- Remote version - transmitter and sensor are mounted in separate locations.

Compact version

The transmitter and sensor form a mechanical unit.

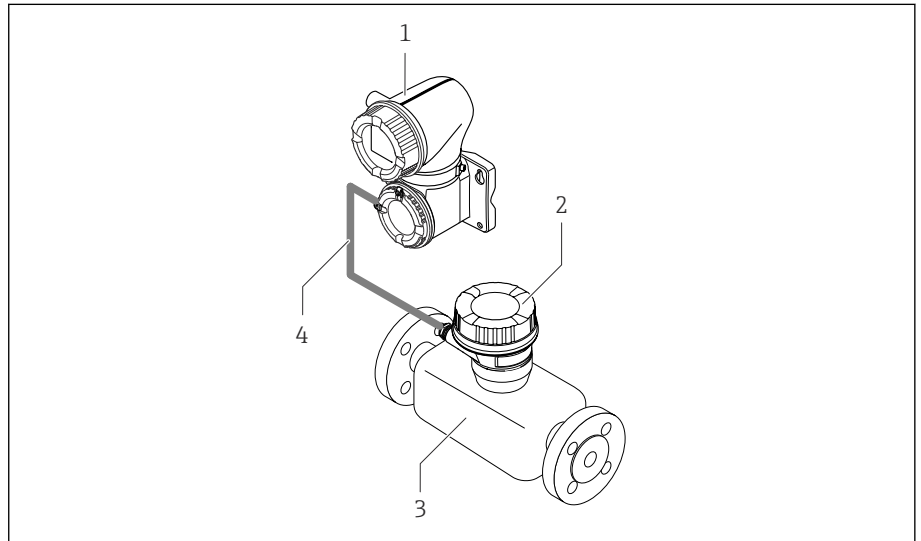


A0008262

- 1 Transmitter
 2 Sensor

Remote version

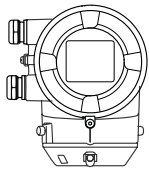
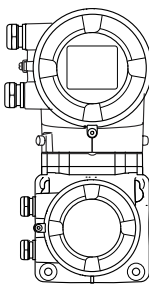
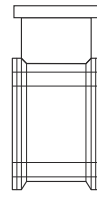
The transmitter and sensor are mounted in physically separate locations.



A0028196

- 1 Transmitter
- 2 Sensor connection housing
- 3 Sensor
- 4 Connecting cable

Measuring system

Proline 10 transmitter	Promag D sensor
 <p data-bbox="774 1355 922 1388">Compact version</p>  <p data-bbox="774 1713 922 1747">Remote version</p>	

IT security

We only provide a warranty if the device is installed and used as described in the Operating Instructions. The device is equipped with security mechanisms to protect it against any inadvertent changes to the device settings.

IT security measures in line with operators' security standards and designed to provide additional protection for the device and device data transfer must be implemented by the operators themselves.

Device-specific IT security

Access via Bluetooth

Secure signal transmission via Bluetooth uses an encryption method tested by the Fraunhofer Institute.

- Without the SmartBlue App, the device is not visible via Bluetooth.
- Only one point-to-point connection is established between the device and a smartphone or tablet.

Access via the SmartBlue App

Two access levels (user roles) are defined for the device: the **Operator** user role and the **Maintenance** user role. The **Maintenance** user role is configured when the device leaves the factory.

If a user-specific access code is not defined (in the Enter access code parameter), the default setting **0000** continues to apply and the **Maintenance** user role is automatically enabled. The device's configuration data are not write-protected and can be edited at all times.

If a user-specific access code has been defined (in the Enter access code parameter), all the parameters are write-protected. The device is accessed with the **Operator** user role. When the user-specific access code is entered a second time, the **Maintenance** user role is enabled. All parameters can be written to.



For detailed information, see the "Description of Device Parameters" document pertaining to the device.

Protecting access via a password

There are a variety of ways to protect against write access to the device parameters:

- User-specific access code:
Protect write access to the device parameters via all the interfaces.
- Bluetooth key:
The password protects access and the connection between an operating unit, e.g. a smartphone or tablet, and the device via the Bluetooth interface.

General notes on the use of passwords

- The access code and Bluetooth key that are valid when the device is delivered must be redefined during commissioning.
- Follow the general rules for generating a secure password when defining and managing the access code and Bluetooth key.
- The user is responsible for the management and careful handling of the access code and Bluetooth key.

Write protection switch

The entire operating menu can be locked via the write protection switch. The values of the parameters cannot be changed. Write protection is disabled when the device leaves the factory.

Write protection is enabled with the write protection switch on the back of the display module.

Input

Measured variable	12
Operable flow range	12
Measuring range	12

Measured variable

Direct measured variables	Volume flow (proportional to induced voltage)
Calculated measured variables	Mass flow

Operable flow range

Over 1000 : 1

Measuring range

Typically $v = 0.01$ to 10 m/s (0.03 to 33 ft/s) with specified measuring accuracy

Electrical conductivity:

- ≥ 5 $\mu\text{S/cm}$ for liquids in general
- ≥ 20 $\mu\text{S/cm}$ for demineralized water

Flow characteristic values in SI units

Nominal diameter		Recommended flow min./max. full scale value ($v \sim 0.3/10$ m/s)	Full scale value current output ($v \sim 2.5$ m/s)	Factory settings	
[mm]	[in]			Pulse value (~ 2 pulse/s)	Low flow cut off ($v \sim 0.04$ m/s)
		[dm ³ /min]	[dm ³ /min]	[dm ³]	[dm ³ /min]
25	1	9 to 300	75	0.5	1
40	1 ½	25 to 700	200	1.5	3
50	2	35 to 1100	300	2.5	5
65	–	60 to 2000	500	5	8
80	3	90 to 3000	750	5	12
100	4	145 to 4700	1200	10	20

Flow characteristic values in US units

Nominal diameter		Recommended flow min./max. full scale value ($v \sim 0.3/10$ m/s)	Full scale value current output ($v \sim 2.5$ m/s)	Factory settings	
[in]	[m1m]			Pulse value (~ 2 pulse/s)	Low flow cut off ($v \sim 0.04$ m/s)
		[gal/min]	[gal/min]	[gal]	[gal/min]
1	25	2.5 to 80	18	0.2	0.25
1 ½	40	7 to 190	50	0.5	0.75
2	50	10 to 300	75	0.5	1.25
–	65	16 to 500	130	1	2
3	80	24 to 800	200	2	2.5
4	100	40 to 1250	300	2	4

Output

Output versions	14
Output signal	14
Signal on alarm	17
Low flow cut off	17
Galvanic isolation	17
Protocol-specific data	17

Output versions

Order code 020: output; input	Output version
Option B	<ul style="list-style-type: none"> ■ Current output 4 to 20 mA HART ■ Pulse/frequency/switch output
Option M	<ul style="list-style-type: none"> ■ Modbus RS485 ■ Current output 4 to 20 mA

Output signal

Current output 4 to 20 mA HART / 4 to 20 mA HART Ex-i

Signal mode	Choose via terminal assignment: <ul style="list-style-type: none"> ■ Active ■ Passive
Current range	Can be set to: <ul style="list-style-type: none"> ■ 4 to 20 mA NAMUR ■ 4 to 20 mA US ■ 4 to 20 mA ■ Fixed current
Max. output current	21.5 mA
Open-circuit voltage	DC < 28.8 V (active)
Max. input voltage	DC 30 V (passive)
Max. load	400 Ω
Resolution	1 μA
Damping	Configurable: 0 to 999.9 s
Assignable measured variables	<ul style="list-style-type: none"> ■ Off ■ Volume flow ■ Mass flow ■ Noise* ■ Coil current shot time* <p>* Visibility depends on order options or device settings</p>

Modbus RS485

Physical interface	RS485 in accordance with EIA/TIA-485 standard
--------------------	---

Current output 4 to 20 mA ¹⁾

Signal mode	Choose via terminal assignment: <ul style="list-style-type: none"> ■ Active ■ Passive
Current range	Can be set to: <ul style="list-style-type: none"> ■ 4 to 20 mA NAMUR ■ 4 to 20 mA US ■ 4 to 20 mA ■ Fixed current
Max. output current	21.5 mA
Open-circuit voltage	DC < 28.8 V (active)

1) Only available with Modbus RS485

Max. input voltage	DC 30 V (passive)
Max. load	400 Ω
Resolution	1 μA
Damping	Configurable: 0 to 999.9 s
Assignable measured variables	<ul style="list-style-type: none"> ▪ Off ▪ Volume flow ▪ Mass flow ▪ Noise* ▪ Coil current shot time* <p>* Visibility depends on order options or device settings</p>

Pulse/frequency/switch output ²⁾

Function	Can be set to: <ul style="list-style-type: none"> ▪ Pulse output ▪ Frequency output ▪ Switch output
Version	Open collector: Passive
Input values	<ul style="list-style-type: none"> ▪ DC 10.4 to 30 V ▪ Max. 140 mA
Voltage drop	<ul style="list-style-type: none"> ▪ ≤ DC 2 V @ 100 mA ▪ ≤ DC 2.5 V @ max. input current

Pulse output	
Pulse width	Configurable: 0.05 to 2 000 ms
Max. pulse rate	10 000 Impulse/s
Pulse value	Configurable
Assignable measured variables	<ul style="list-style-type: none"> ▪ Volume flow ▪ Mass flow

Frequency output	
Output frequency	Configurable: end value frequency 2 to 10 000 Hz ($f_{\max} = 12\,500$ Hz)
Damping	Configurable: 0 to 999.9 s
Pulse/pause ratio	1:1
Assignable measured variables	<ul style="list-style-type: none"> ▪ Off ▪ Volume flow ▪ Mass flow ▪ Noise* ▪ Coil current shot time* ▪ Reference electrode potential against PE* <p>* Visibility depends on order options or device settings</p>

Switch output	
Switching behavior	Binary, conductive or non-conductive
Switching delay	Configurable: 0 to 100 s

2) Only available with 4 to 20 mA HART IO1

Number of switching cycles	Unlimited
Assignable functions	<ul style="list-style-type: none">■ Disable■ On■ Diagnostic behavior:<ul style="list-style-type: none">■ Alarm■ Warning■ Warning and alarm■ Limit value:<ul style="list-style-type: none">■ Off■ Volume flow■ Mass flow■ Flow velocity■ Totalizer 1...3■ Flow direction monitoring■ Status<ul style="list-style-type: none">■ Empty pipe detection option (only possible with extended transmitter)■ Low flow cut off <p>* Visibility depends on order options or device settings</p>

Signal on alarm

Output behavior in the event of a device alarm (failure mode)

HART

Device diagnostics	Device condition can be read out via HART Command 48
---------------------------	--

Modbus RS485

Failure mode	Selectable: <ul style="list-style-type: none"> ▪ NaN value instead of current value ▪ Last valid value
---------------------	--

Current output 4 to 20 mA

4 to 20 mA	Selectable: <ul style="list-style-type: none"> ▪ Min. value: 3.59 mA ▪ Max. value: 21.5 mA ▪ Freely definable value between: 3.59 to 21.5 mA ▪ Actual value ▪ Last valid value
-------------------	---

Pulse/frequency/switch output

Pulse output	Selectable: <ul style="list-style-type: none"> ▪ Actual value ▪ No pulses
Frequency output	Selectable: <ul style="list-style-type: none"> ▪ Actual value ▪ 0 Hz ▪ Defined value: 0 to 12 500 Hz
Switch output	Selectable: <ul style="list-style-type: none"> ▪ Current status ▪ Open ▪ Closed

Low flow cut off

The switch points for low flow cut off are user-selectable.

Galvanic isolation

The outputs are galvanically isolated from one another and from earth.

Protocol-specific data

HART

Bus structure	The HART signal overlays the 4 to 20 mA current output.
Manufacturer ID	0x11
Device type ID	0x71
HART protocol revision	7
Device description files (DTM, DD)	Information and files under: www.endress.com

HART load	At least 250 Ω
System integration	Measured variables via HART protocol

IO-Link

IO-Link specification	Version 1.1.3
Device ID	
Manufacturer ID	17
Smart Sensor Profile	Smart Sensor Profile 2nd Edition V1.2; supports <ul style="list-style-type: none"> ▪ Identification and Diagnosis ▪ Digital Measuring and Switching Sensor (as per SSP type 4.3.4)
Smart Sensor Profile Type	Measuring profile type 4.3.4 Measuring and Switching Sensor, floating point, 4 channel
SIO mode	No
Speed	COM2 (38.4 kBaud)
Minimum cycle time	20 ms
Process data width	18 bytes (as per SSP 4.3.4)
ONrequestdata	8 Byte
Data storage	Yes
Block configuration	Yes
Device operational	3 s The device is operational once the supply voltage has been applied.
System integration	Cyclic measured variables: <ul style="list-style-type: none"> ▪ Temperature [°C] ▪ Totalizer 1 [m³]

Device description

In order to integrate field devices into a digital communication system, the IO-Link system needs a description of the device parameters, such as output data, input data, data format, data volume, and supported transfer rate.


These data are available in the device description (IODD) which is provided to the IO-Link Master when the communication system is commissioned.

The IODD can be downloaded as follows:

- www.endress.com
- <https://ioddfinder.io-link.com>

Modbus RS485

Physical interface	RS485 in accordance with EIA/TIA-485 standard
Terminating resistor	Not integrated
Protocol	Modbus Applications Protocol Specification V1.1
Response times	<ul style="list-style-type: none"> ▪ Direct data access: typically 25 to 50 ms ▪ Auto-scan buffer (data range): typically 3 to 5 ms
Device type	Slave
Slave address range	1 to 247
Broadcast address range	0

Function codes	<ul style="list-style-type: none"> ▪ 03: Read holding register ▪ 04: Read input register ▪ 06: Write single registers ▪ 08: Diagnostics ▪ 16: Write multiple registers ▪ 23: Read/write multiple registers
Broadcast messages	<p>Supported by the following function codes:</p> <ul style="list-style-type: none"> ▪ 06: Write single registers ▪ 16: Write multiple registers ▪ 23: Read/write multiple registers
Supported baud rate	<ul style="list-style-type: none"> ▪ 1 200 BAUD ▪ 2 400 BAUD ▪ 4 800 BAUD ▪ 9 600 BAUD ▪ 19 200 BAUD ▪ 38 400 BAUD ▪ 57 600 BAUD ▪ 115 200 BAUD
Data transfer mode	RTU
Data access	<p>Each parameter can be accessed via Modbus RS485.</p> <p> For Modbus register information</p>
System integration	<p>Information on system integration .</p> <ul style="list-style-type: none"> ▪ Modbus RS485 information ▪ Function codes ▪ Register information ▪ Response time ▪ Modbus data map



Energy supply

Terminal assignment	22
Supply voltage	22
Power consumption	23
Current consumption	23
Power supply failure	23
Electrical connection	23
Potential equalization	27
Terminals	28
Cable entries	28
Overvoltage protection	28

Terminal assignment



The terminal assignment is documented on an adhesive label.

The following terminal assignment is available:

Current output 4 to 20 mA HART (active) and pulse/frequency/switch output

Supply voltage		Output 1				Output 2	
1 (+)	2 (-)	26 (+)	27 (-)	24 (+)	25 (-)	22 (+)	23 (-)
L/+	N/-	Current output 4 to 20 mA HART (active)		-		Pulse/frequency/switch output (passive)	

Current output 4 to 20 mA HART (passive) and pulse/frequency/switch output

Supply voltage		Output 1				Output 2	
1 (+)	2 (-)	26 (+)	27 (-)	24 (+)	25 (-)	22 (+)	23 (-)
L/+	N/-	-		Current output 4 to 20 mA HART (passive)		Pulse/frequency/switch output (passive)	

Modbus RS485 and current output 4 to 20 mA (active)

Supply voltage		Output 1				Output 2	
1 (+)	2 (-)	26 (+)	27 (-)	24 (+)	25 (-)	22 (B)	23 (A)
L/+	N/-	Current output 4 to 20 mA (active)		-		Modbus RS485	

Modbus RS485 and current output 4 to 20 mA (passive)

Supply voltage		Output 1				Output 2	
1 (+)	2 (-)	26 (+)	27 (-)	24 (+)	25 (-)	22 (B)	23 (A)
L/+	N/-	-		Current output 4 to 20 mA (passive)		Modbus RS485	

Supply voltage

Order code for "Power supply"	Terminal voltage	Frequency range
Option A IO-Link port class A	DC 18 to 30 V ¹⁾	-
Option D	DC 24 V	-20 to +30 %
Option E	AC 100 to 240 V	-15 to +10 %
Option I	DC 24 V AC 100 to 240 V	-20 to +30 % -15 to +10 %
Option M non-hazardous area	DC 24 V AC 100 to 240 V	-20 to +30 % -15 to +10 %
		50/60 Hz, ±5 Hz

1) These values are absolute minimum and maximum values. No tolerance applies. The DC power unit must be tested to ensure it meets technical safety requirements (e.g. PELV, SELV) with limited power sources (e.g. Class 2).

Power consumption

- Transmitter:
HART, Modbus RS485: Max. 10 W (active power)
- Switch-on current:
HART, Modbus RS485: Max. 36 A (< 5 ms) as per NAMUR Recommendation NE 21

Current consumption



- Max. 400 mA (24 V)
- Max. 200 mA (110 V, 50/60 Hz; 230 V, 50/60 Hz)

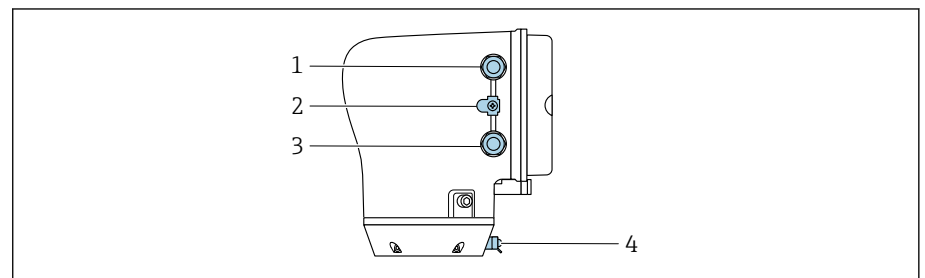
Power supply failure

- Totalizers stop at the last value measured.
- Device configuration remains unchanged.
- Error messages (incl. total operated hours) are stored.

Electrical connection

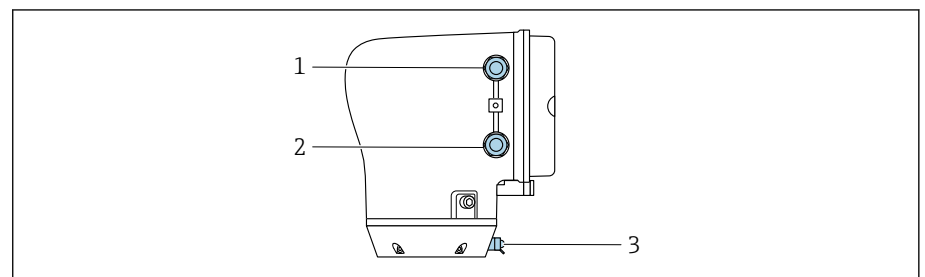
Transmitter terminal connections

 Terminal assignment → *Terminal assignment*,  22



A0043283

- 1 Cable entry for power supply cable: supply voltage
- 2 Outer ground terminal: on transmitters made of polycarbonate with a metal pipe adapter
- 3 Cable entry for signal cable
- 4 Outer ground terminal

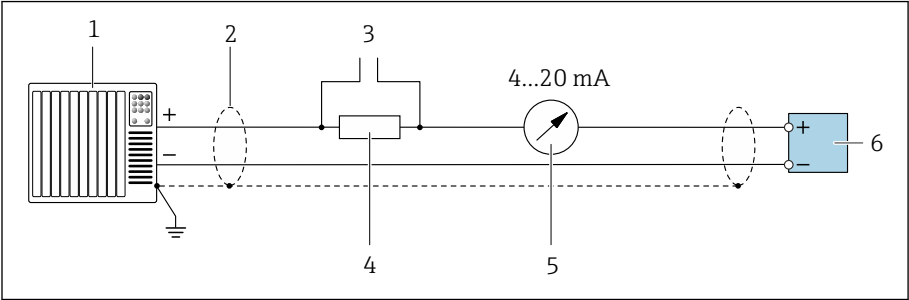


A0045438

- 1 Cable entry for power supply cable: supply voltage
- 2 Cable entry for signal cable
- 3 Outer ground terminal

Examples of electric terminals

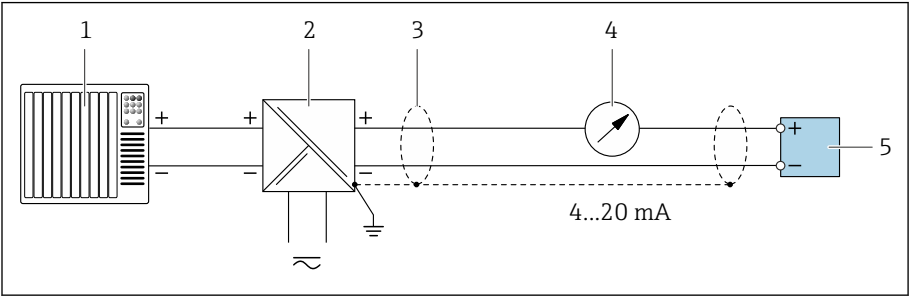
Current output 4 to 20 mA HART (active)



A0029055

- 1 Automation system with current input (e.g. PLC)
- 2 Cable shield
- 3 Connection for HART operating devices
- 4 Resistor for HART communication ($\geq 250 \Omega$); observe max. load
- 5 Analog display unit; observe max. load.
- 6 Transmitter

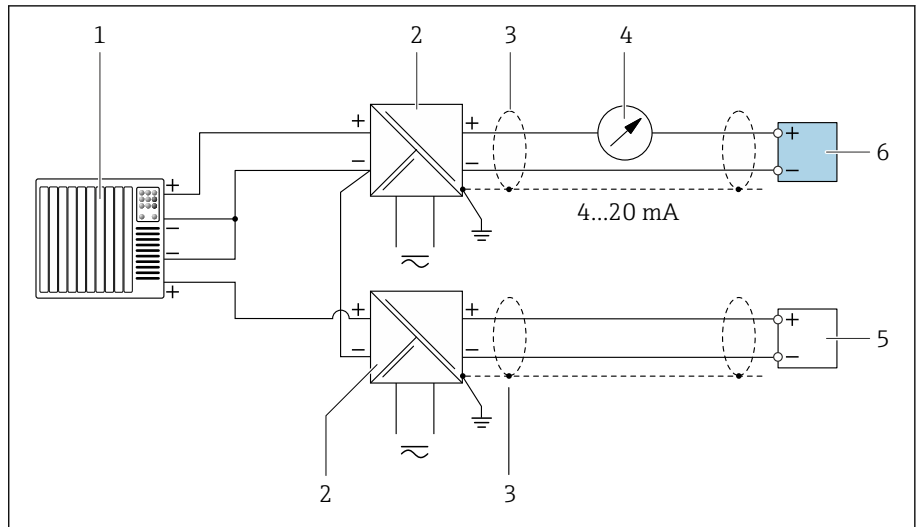
Current output 4 to 20 mA HART (passive)



A0028762

- 1 Automation system with current input (e.g. PLC)
- 2 Active barrier for supply voltage (e.g. RN221N)
- 3 Cable shield
- 4 Analog display unit; observe max. load
- 5 Transmitter

HART input (passive)

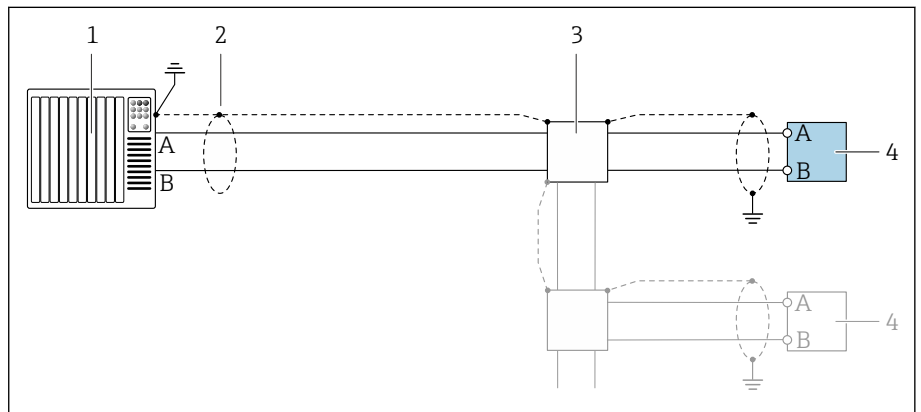


A0028763

1 Connection example for HART input with a common negative (passive)

- 1 Automation system with current input (e.g. PLC)
- 2 Active barrier for supply voltage (e.g. RN22 1N)
- 3 Cable shield
- 4 Analog display unit: observe max. load
- 5 Pressure transmitter (e.g. Cerabar M, Cerabar S: see requirements)
- 6 Transmitter

Modbus RS485

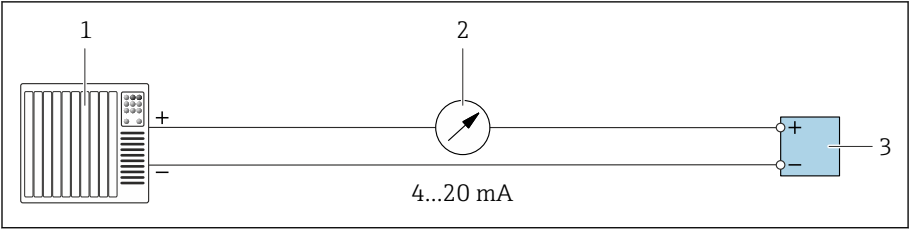


A0028765

2 Connection example for Modbus RS485, non-hazardous area and Zone 2; Class I, Division 2

- 1 Control system (e.g. PLC)
- 2 Cable shield
- 3 Distribution box
- 4 Transmitter

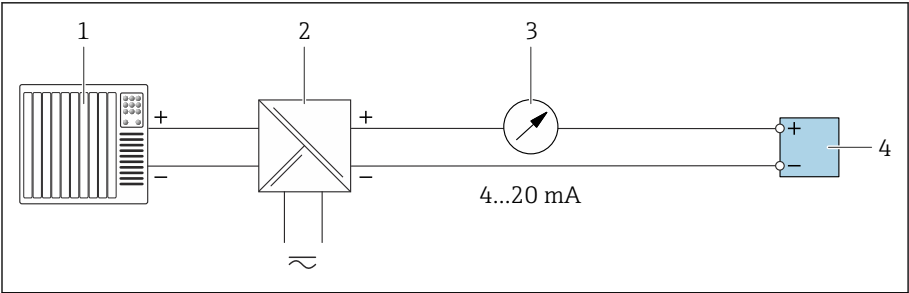
Current output 4 to 20 mA (active)



A0028758

- 1 Automation system with current input (e.g. PLC)
- 2 Analog display unit: observe max. load
- 3 Transmitter

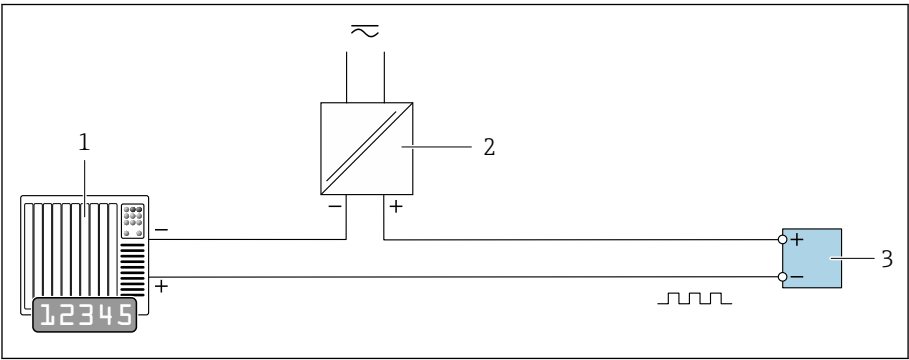
Current output 4 to 20 mA (passive)



A0028759

- 1 Automation system with current input (e.g. PLC)
- 2 Active barrier for supply voltage (e.g. RN221N)
- 3 Analog display unit: observe max. load
- 4 Transmitter

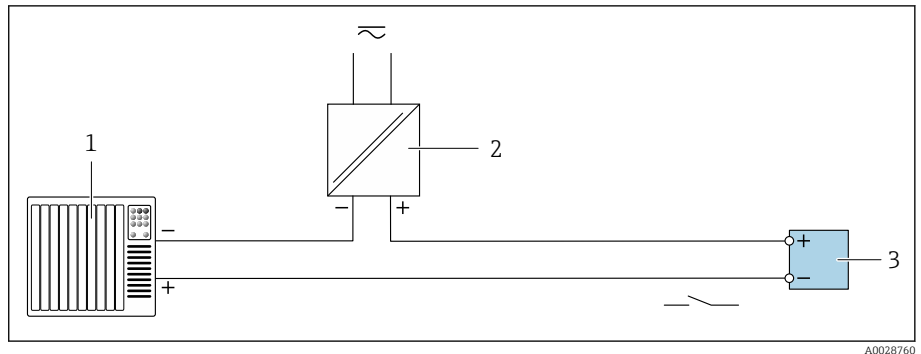
Pulse/frequency output (passive)



A0028761

- 1 Automation system with pulse output and frequency input (e.g. PLC with a 10 kΩ pull-up or pull-down resistor)
- 2 Supply voltage
- 3 Transmitter: observe input values

Switch output (passive)



- 1 Automation system with switch input (e.g. PLC with a 10 kΩ pull-up or pull-down resistor)
- 2 Supply voltage
- 3 Transmitter: observe input values

Potential equalization

Introduction

Correct potential equalization (equipotential bonding) is a prerequisite for stable and reliable flow measurement. Inadequate or incorrect potential equalization can result in device failure and present a safety hazard.

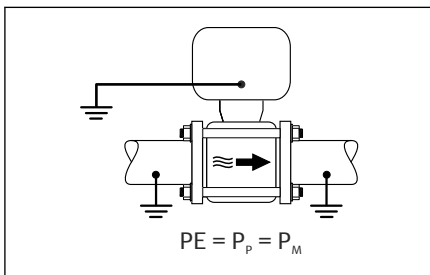
The following requirements must be observed to ensure correct, trouble-free measurement:

- The principle that the medium, the sensor and the transmitter must be at the same electrical potential applies.
- Take in-company grounding guidelines, materials and the grounding conditions and potential conditions of the pipe into consideration.
- The necessary potential equalization connections must be established using a ground cable with a minimum cross-section of 6 mm² (0.0093 in²). Also use a cable lug.
- In the case of remote device versions, the ground terminal in the example always refers to the sensor and not to the transmitter.

Abbreviations used

- PE (Protective Earth): potential at the potential equalization terminals of the device
- P_P (Potential Pipe): potential of the pipe, measured at the flanges
- P_M (Potential Medium): potential of the medium

Connection examples for standard situations

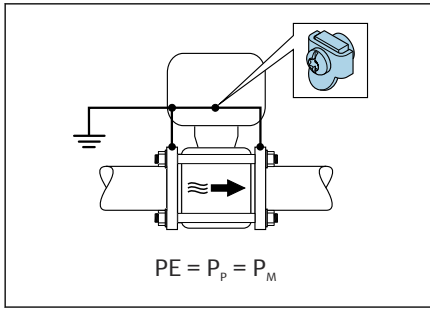


Unlined and grounded metal pipe

- Potential equalization is via the measuring pipe.
- The medium is set to ground potential.

Starting conditions:

- Pipes are correctly grounded on both sides.
- Pipes are conductive and at the same electrical potential as the medium
- ▶ Connect the connection housing of the transmitter or sensor to ground potential via the ground terminal provided for this purpose.



A0045824

Plastic pipe or pipe with insulating liner

- Potential equalization is via the ground terminal and flanges
- The medium is set to ground potential.

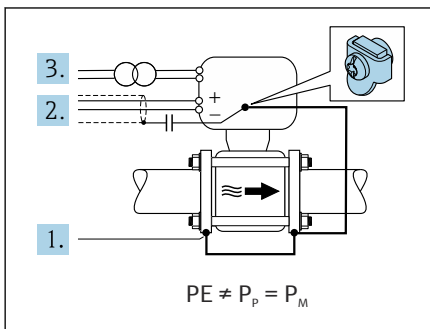
Starting conditions:

- The pipe has an insulating effect.
- Low-impedance medium grounding close to the sensor is not guaranteed.
- Equalizing currents through the medium cannot be ruled out.

1. Connect flanges to the ground terminal of the transmitter or sensor connection housing via the ground cable.
2. Connect the connection to ground potential.

Connection example with the potential of medium not equal to potential equalization connection

In these cases, the medium potential can differ from the potential of the device.



A0045824

Metal, ungrounded pipe

The sensor and transmitter are installed in a way that provides electrical insulation from PE, e.g. applications for electrolytic processes or systems with cathodic protection.

Starting conditions:

- Unlined metal pipe
- Pipes with an electrically conductive liner

1. Connect the pipe flanges and transmitter via the ground cable.
2. Route the shielding of the signal lines via a capacitor (recommended value 1.5 μF/50V).
3. Device connected to power supply such that it is floating in relation to the potential equalization connection (isolation transformer). This measure is not required in the case of 24V DC supply voltage without PE (= SELV power unit).

Terminals

Spring terminals

- Suitable for strands and strands with ferrules.
- Conductor cross-section 0.2 to 2.5 mm² (24 to 12 AWG).

Cable entries

- Cable gland: M20 × 1.5 for cable Ø6 to 12 mm (0.24 to 0.47 in)
- Thread for cable entry:
 - NPT ½"
 - G ½", G ½" Ex d
 - M20

Overvoltage protection

Mains voltage fluctuations	→ Supply voltage, 22
Overvoltage category	Overvoltage category II
Short-term, temporary overvoltage	Between cable and neutral conductor up to 1200 V for max. 5s
Long-term, temporary overvoltage	Up to 500 V between cable and ground

Cable specification

Requirements for connecting cable	30
Ground cable requirements	30
Connecting cable requirements	30

Requirements for connecting cable

Electrical safety

As per applicable national regulations.

Permitted temperature range

- Observe the installation guidelines that apply in the country of installation.
- The cables must be suitable for the minimum temperatures and maximum temperatures to be expected.

Power supply cable (incl. conductor for the inner ground terminal)

- A standard installation cable is sufficient.
- Provide grounding according to applicable national codes and regulations.

Signal cable

- Current output 4 to 20 mA HART:
A shielded cable is recommended, observe the grounding concept of the facility.
- Pulse/frequency/switch output:
Standard installation cable
- Modbus RS485:
Cable type A according to EIA/TIA-485 standard is recommended
- Current output 4 to 20 mA:
Standard installation cable

Ground cable requirements

Copper wire: at least 6 mm² (0.0093 in²)

Connecting cable requirements



Connecting cable only necessary for remote version.

Electrode cable	Coil current cable
<p style="text-align: right; font-size: small;">A0054679</p> <p>1 GND (green): Ground-wire 0.38 mm² (AWG 21)</p> <p>2 E1 (brown): "Electrode E1" - core 0.38 mm² (AWG 21)</p> <p>3 E (yellow): grounding 0.38 mm² (AWG 21)</p> <p>4 E2 (white): "Electrode E2" - core 0.38 mm² (AWG 21)</p> <p>a Outer jacket</p> <p>b Cable shield</p> <p>c Core jacket</p> <p>d Core shield</p> <p>e Core insulation</p> <p>f Core</p>	<p style="text-align: right; font-size: small;">A0054680</p> <p>1 ER+ (black): coil current core 0.75 mm² (AWG 18)</p> <p>2 ER- (black): coil current core 0.75 mm² (AWG 18)</p> <p>3 NC (yellow-green): not connected 0.75 mm² (AWG 18)</p> <p>a Outer jacket</p> <p>b Cable shield</p> <p>c Core insulation</p> <p>d Core</p> <p>e Core reinforcement</p>



Armored connecting cable

Armored connecting cables with additional, metal reinforcing braid can be ordered from Endress+Hauser. Armored connecting cables are used:

- When laying the cable directly in the ground
- Where there is a risk of damage from rodents
- If using the device below IP68 degree of protection

Electrode cable

Design	3×0.38 mm ² (21 AWG) with common, braided copper shield (∅ ~ 9.5 mm (0.37 in)) and individual shielded cores
Conductor resistance	≤ 50 Ω/km (0.015 Ω/ft)
Capacitance: core/shield	≤ 420 pF/m (128 pF/ft)
Cable length	Depends on the medium conductivity: maximum 200 m (656 ft)
Cable lengths (available for order)	5 m (15 ft), 10 m (30 ft), 20 m (60 ft) or variable length: maximum 200 m (656 ft) Armored cables: variable length up to maximum 200 m (656 ft)
Operating temperature	-20 to +80 °C (-4 to +176 °F)

Coil current cable

Design	3×0.75 mm ² (18 AWG) with common, braided copper shield (∅ ~ 9.5 mm (0.37 in)) and individual shielded cores
Conductor resistance	≤ 37 Ω/km (0.011 Ω/ft)
Capacitance: core/shield	≤ 120 pF/m (37 pF/ft)
Cable length	Depends on the medium conductivity, max. 200 m (656 ft)
Cable lengths (available for order)	5 m (15 ft), 10 m (30 ft), 20 m (60 ft) or variable length up to max. 200 m (656 ft) Armored cables: variable length up to max. 200 m (656 ft)
Operating temperature	-20 to +80 °C (-4 to +176 °F)
Test voltage for cable insulation	≤ AC 1433 V rms 50/60 Hz or ≥ DC 2026 V



Performance characteristics

Reference operating conditions	34
Maximum measurement error	34
Repeatability	34
Influence of ambient temperature	34

Reference operating conditions

- Error limits based on ISO 20456:2017
- Water, typically: +15 to +45 °C (+59 to +113 °F); 0.5 to 7 bar (7.3 to 101 psi)
- Data as indicated in the calibration protocol
- Accuracy based on accredited calibration rigs according to ISO 17025

i To obtain measured errors, use the *Applicator* sizing tool → *Service-specific accessory*, 89

Maximum measurement error

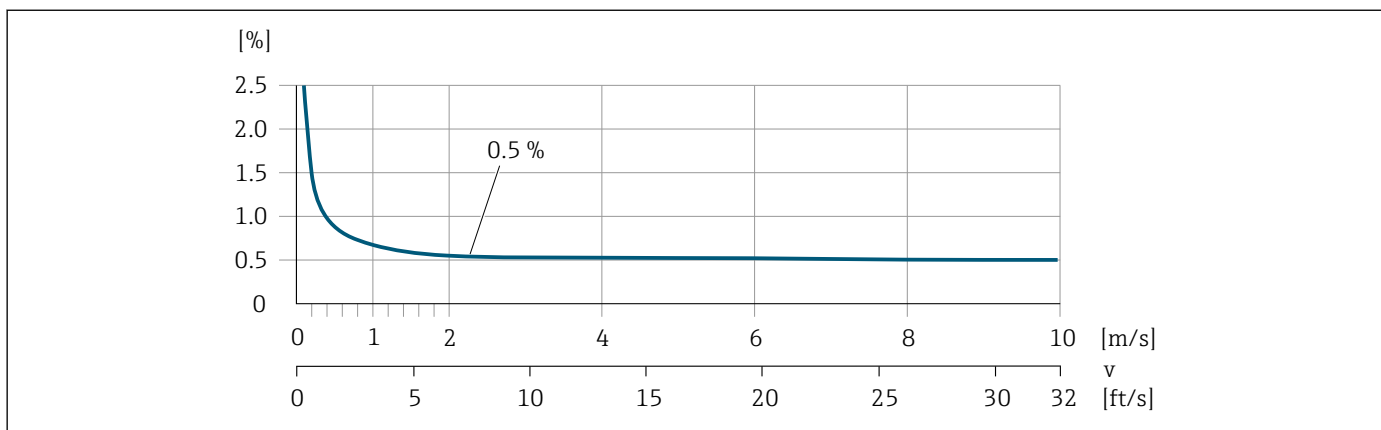
o. r. = of reading

Error limits under reference operating conditions

Volume flow

±0.5 % o. r. ±1 mm/s (±0.04 in/s)

i Fluctuations in the supply voltage do not have any effect within the specified range.



A0032055

Accuracy of outputs

Current output	±5 µA
Pulse/frequency output	Max. ±100 ppm o. r. (across the entire ambient temperature range)

Repeatability

Volume flow	Max. ±0.1 % o. r. ± 0.5 mm/s (0.02 in/s)
-------------	--

Influence of ambient temperature

Current output	Temperature coefficient max. 1 µA/°C
Pulse/frequency output	No additional effect. Is included in the accuracy.

Installation

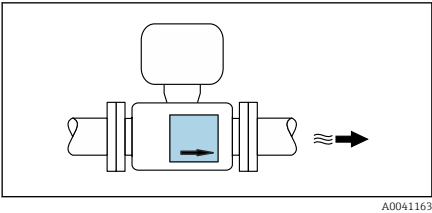
Installation conditions

Installation conditions

Flow direction

Install the device in the direction of flow.

i Note the direction of arrow on the nameplate.

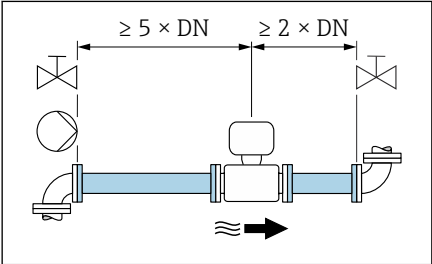


A0041163

Installation with inlet runs and outlet runs

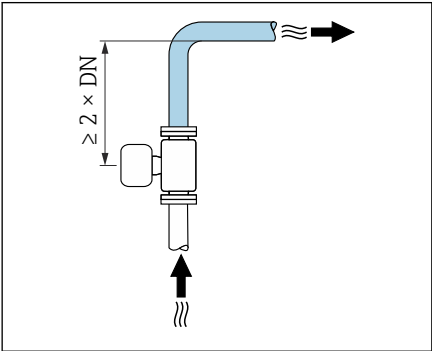
Ensure straight, undisturbed inlet and outlet runs.

i To avoid negative pressure and to comply with accuracy specifications, install the sensor upstream from assemblies that produce turbulence (e.g. valves, T-sections) and downstream from pumps → *Installation near pumps*, 39.



A0028997

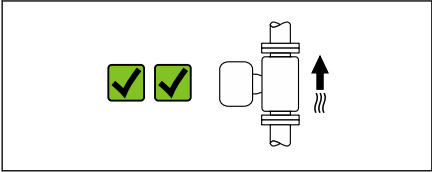
Keep a sufficient distance to the next pipe elbow.



A0042132

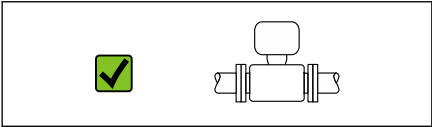
Orientations

Vertical orientation, upward direction of flow
For all applications.

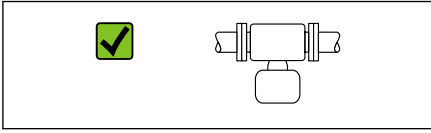


A0041159

Horizontal orientation, transmitter at top
This orientation is suitable for the following applications:
For low process temperatures in order to maintain the minimum ambient temperature for the transmitter.



A0041160

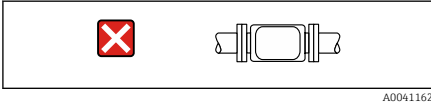


Horizontal orientation, transmitter at bottom

This orientation is suitable for the following applications:

- For high process temperatures in order to maintain the maximum ambient temperature for the transmitter.
- To prevent the electronics module from overheating in the case of a sharp rise in temperature (e.g. CIP or SIP processes), install the measuring instrument with the transmitter component pointing downwards.

This orientation is not suitable for the following applications:
If empty pipe detection is to be used.

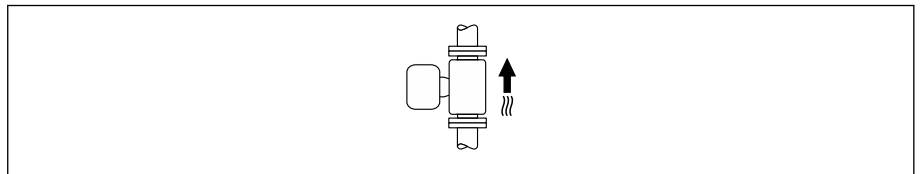


Horizontal orientation, transmitter at side

This orientation is not suitable

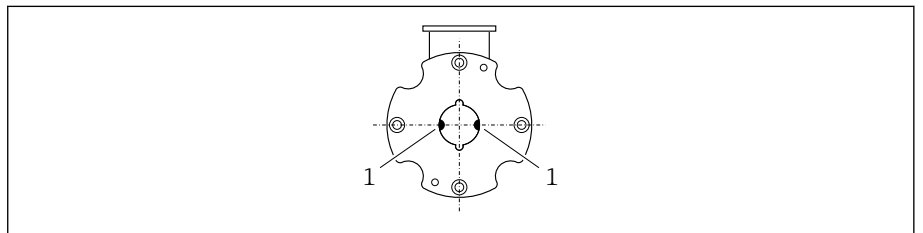
Vertical

Optimum for self-emptying pipe systems.



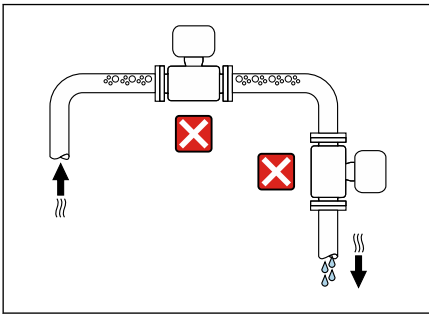
Horizontal

Ideally, the measuring electrode plane should be horizontal. This prevents brief insulation of the measuring electrodes by entrained air bubbles.



1 Measuring electrodes for signal detection

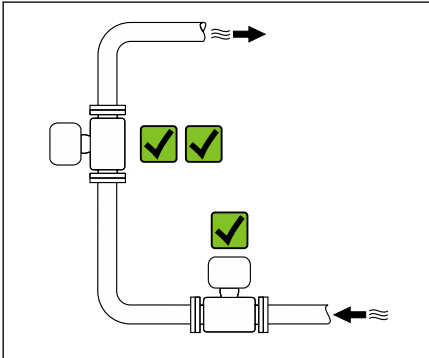
Mounting locations



A0042131

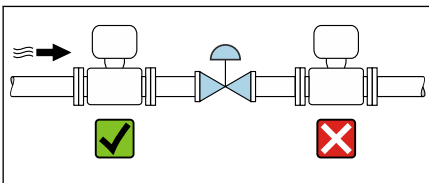
- Do not install the device at the highest point of the pipe.
- Do not install the device upstream from a free pipe outlet in a down pipe.

The device should ideally be installed in an ascending pipe.



A0042317

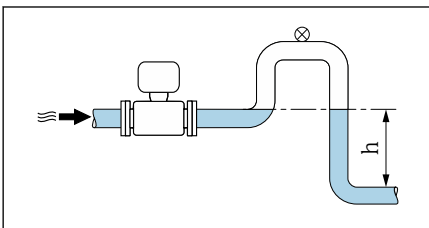
Installation near control valves



A0041091

Install the device in the direction of flow upstream from the control valve.

Installation upstream from a down pipe



A0041089

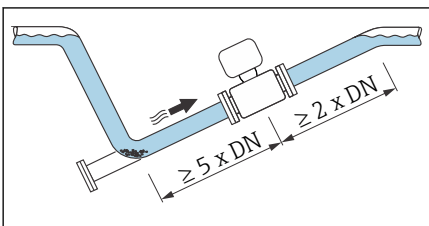
NOTICE

Negative pressure in the measuring pipe can damage the liner!

- ▶ If installing upstream from down pipes with a length $h \geq 5$ m (16.4 ft): install a siphon with a vent valve downstream from the device.

i This arrangement prevents the flow of liquid stopping in the pipe and air entrainment.

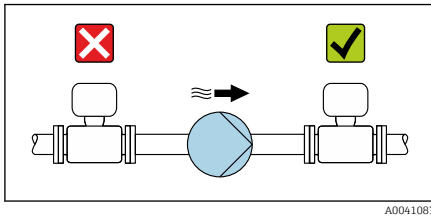
Installation with partially filled pipes



A0041088

- Partially filled pipes with a gradient require a drain-type configuration.
- The installation of a cleaning valve is recommended.

Installation near pumps



NOTICE

Negative pressure in the measuring pipe can damage the liner!

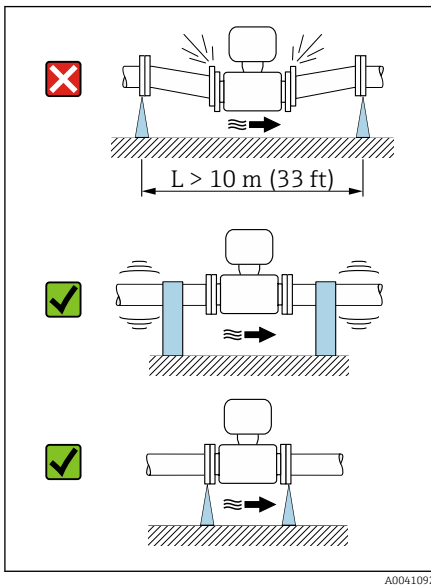
- ▶ Install the device in the direction of flow downstream from the pump.
- ▶ Install pulsation dampers if reciprocating, diaphragm or peristaltic pumps are used.



Information on the measuring system's resistance to vibration and shock
 → *Vibration-resistance and shock-resistance*, 42

Pipe vibrations

A remote version is recommended in the event of strong pipe vibrations.



NOTICE

Pipe vibrations can damage the device!

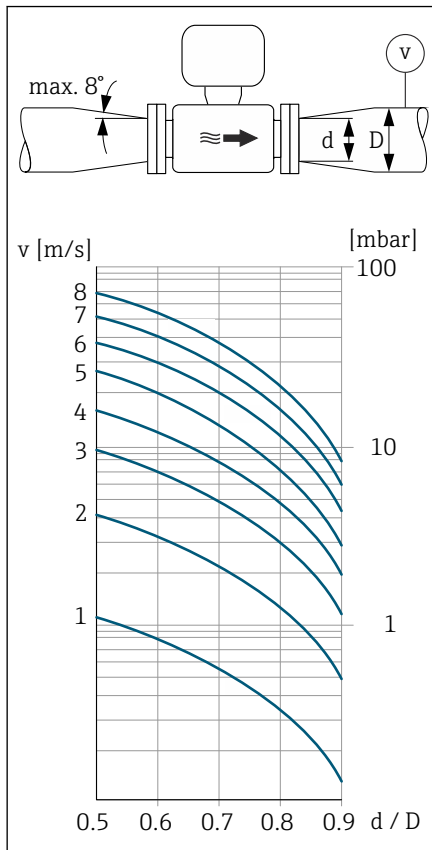
- ▶ Do not expose the device to strong vibrations.
- ▶ Support the pipe and fix it in place.
- ▶ Support the device and fix it in place.
- ▶ Mount the sensor and transmitter separately.

Adapters

Suitable adapters (double-flange reducers) can be used to install the sensor in larger-diameter pipes. The resulting higher rate of flow improves measuring accuracy with very slow-moving media.

i The nomogram shown here can be used to calculate the pressure loss caused by reducers and expanders. It only applies to liquids with a viscosity similar to that of water.

1. Calculate the ratio of the diameters d/D .
2. Determine the flow velocity after the reduction.
3. From the chart, determine the pressure loss as a function of the flow velocity v and the d/D ratio.



A0041086

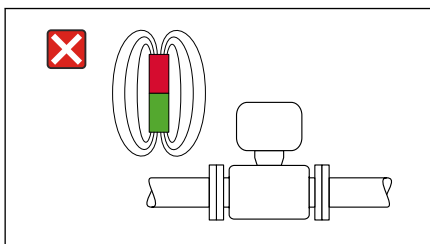
Seals

Note the following when installing seals:

- Use seals with a hardness rating of 70° Shore.
- For DIN flanges: only install seals according to DIN EN 1514-1.

Magnetism and static electricity

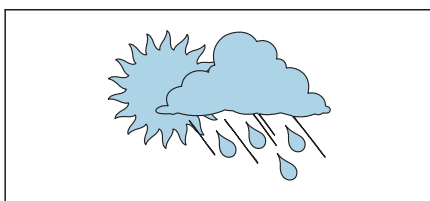
Do not install the device near magnetic fields, e.g. motors, pumps, transformers.



A0042152

Outdoor use

- Avoid exposure to direct sunlight.
- Install in a location protected from sunlight.
- Avoid direct exposure to weather conditions.
- Use a weather protection cover → *Transmitter*, 88.




A0023989

Environment

Ambient temperature range	42
Storage temperature	42
Relative humidity	42
Operating height	42
Degree of protection	42
Vibration-resistance and shock-resistance	42
Electromagnetic compatibility (EMC)	43

Ambient temperature range

Transmitter	-40 to +60 °C (-40 to +140 °F)
Local display	-20 to +60 °C (-4 to +140 °F) The readability of the display may be impaired at temperatures outside the temperature range.
Sensor	-20 to +60 °C (-4 to +140 °F)
Liner	Do not exceed or fall below the permitted temperature range of the liner → <i>Medium temperature range</i> , 46..  Dependency of ambient temperature on medium temperature → <i>Medium temperature range</i> , 46

Storage temperature

The storage temperature corresponds to the ambient temperature range of the transmitter and sensor.

Relative humidity

The device is suitable for use in outdoor and indoor areas with a relative humidity of 5 to 95%.

Operating height

According to EN 61010-1

- Without overvoltage protection: ≤ 2 000 m
- With overvoltage protection: > 2 000 m (e.g. Endress+Hauser HAW series)

Degree of protection

Transmitter	<ul style="list-style-type: none"> ▪ IP66/67, Type 4X enclosure, suitable for pollution degree 4 ▪ Open housing: IP20, Type 1 enclosure, suitable for pollution degree 2
Sensor	IP66/67, Type 4X enclosure, suitable for pollution degree 4

Vibration-resistance and shock-resistance

Compact version

Vibration, sinusoidal Following IEC 60068-2-6	2 to 8.4 Hz	3.5 mm peak
	8.4 to 2 000 Hz	1 g peak
Vibration, broad-band random Following IEC 60068-2-64	10 to 200 Hz	0.003 g ² /Hz
	200 to 2 000 Hz	0.001 g ² /Hz (1.54 g rms)
Shocks, half-sine Following IEC 60068-2-27	6 ms 30 g	

Shock

Due to rough handling similar to IEC 60068-2-31.

Remote version (sensor)

Vibration, sinusoidal Following IEC 60068-2-6	2 to 8.4 Hz	7.5 mm peak
	8.4 to 2 000 Hz	1 g peak
Vibration, broad-band random Following IEC 60068-2-6	10 to 200 Hz	0.01 g ² /Hz
	200 to 2 000 Hz	0.003 g ² /Hz (2.7 g rms)

Shocks, half-sine
Following IEC 60068-2-6

6 ms 50 g

Shock

Due to rough handling similar to IEC 60068-2-31.

Electromagnetic compatibility (EMC)

As per IEC/EN 61326 and
HART, Modbus RS485: NAMUR Recommendation NE 21



For more information: Declaration of Conformity

Process

Medium temperature range	46
Conductivity	46
Flow limit	46
Pressure-temperature ratings	47
Pressure tightness	47
Pressure loss	47

Medium temperature range

0 to +60 °C (+32 to +140 °F)

Conductivity

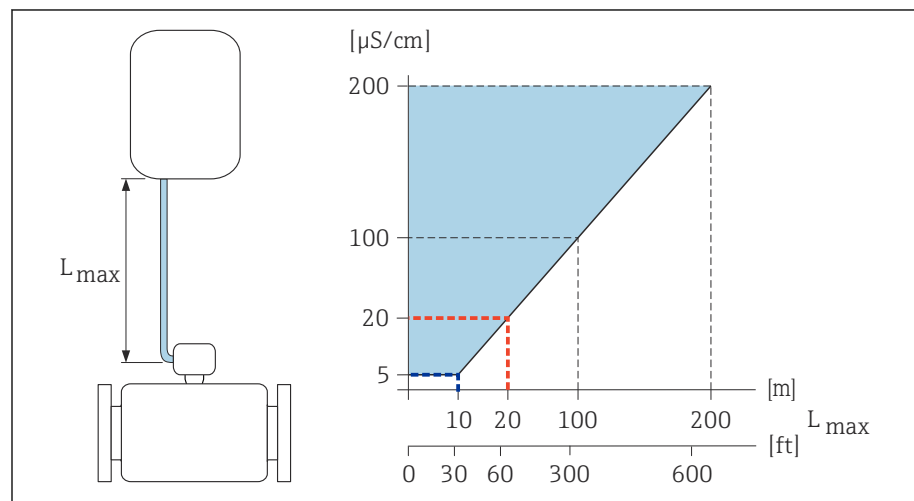
The minimum conductivity is:

- 5 $\mu\text{S}/\text{cm}$ for liquids in general
- 20 $\mu\text{S}/\text{cm}$ for demineralized water

The following basic conditions must be observed for $< 20 \mu\text{S}/\text{cm}$:

- Order code 013 for "Functionality", option D "Extended transmitter" and higher output signal damping is recommended for values under $20 \mu\text{S}/\text{cm}$.
- Observe the maximum permitted cable length L_{max} . This length is determined by the conductivity of the medium.
- With order code 013 "Functionality", option A "Standard transmitter" and empty pipe detection (EPD) switched on, the minimum conductivity is $20 \mu\text{S}/\text{cm}$.
- With order code 013 "Functionality", option A "Standard transmitter" - remote version, empty pipe detection may not be activated if $L_{\text{max}} > 20 \text{ m}$.

i Note that in the case of the remote version, the minimum conductivity depends on the cable length.



3 Permitted length of connecting cable

Colored area = permitted range

L_{max} = length of connecting cable in [m] ([ft])

[$\mu\text{S}/\text{cm}$] = medium conductivity

Red line = order code 013 "Functionality", option A "Standard transmitter"

Blue line = order code 013 "Functionality", option D "Extended transmitter"

Flow limit

Pipe diameter and flow rate determine the nominal diameter of the sensor.

i The flow velocity is increased by reducing the sensor nominal diameter.

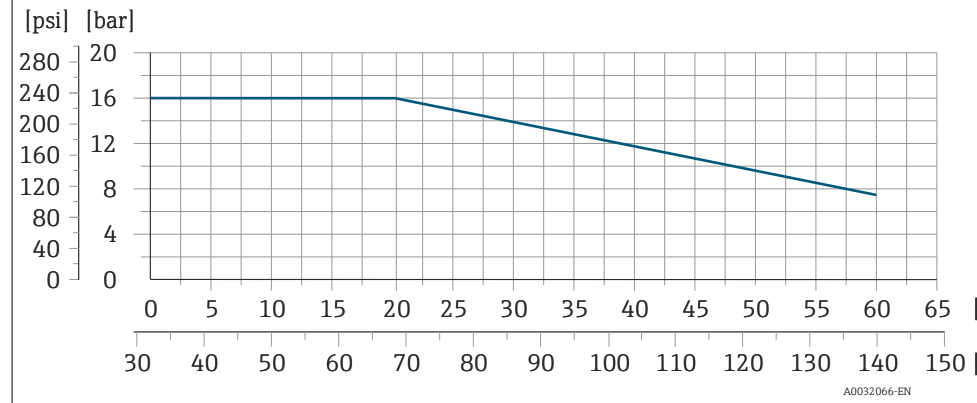
2 to 3 m/s (6.56 to 9.84 ft/s)	Optimum flow velocity
$v < 2 \text{ m/s}$ (6.56 ft/s)	For abrasive media, e.g. potter's clay, lime milk, ore slurry
$v > 2 \text{ m/s}$ (6.56 ft/s)	For media producing buildup, e.g. wastewater sludge

Pressure-temperature ratings

Permitted process pressure

Fixed flange similar to EN 1092-1
 Fixed flange similar to ASME B16.5
 Fixed flange similar to JIS B2220

Stainless steel



Pressure tightness

Measuring tube: 0 mbar abs. (0 psi abs.) at a medium temperature of $\leq +60\text{ °C}$ ($+140\text{ °F}$)

Pressure loss

- No pressure loss: transmitter installed in a pipe with the same nominal diameter.
- Pressure loss information when adapters are used → *Adapters*, 40



Mechanical construction

Weight	50
Measuring tube specification	51
Materials	52
Mounting bolts	53
Fitted electrodes	53
Process connections	54

Weight

All values refer to devices with flanges with a standard pressure rating. Weight data are guideline values. The weight may be lower than indicated depending on the pressure rating and design.

Transmitter remote version

- Polycarbonate: 1.4 kg (3.1 lbs)
- Aluminum: 2.4 kg (5.3 lbs)

Sensor remote version

Aluminum sensor connection housing: see the information in the following table.

Compact version

Weight in SI units

DN		Weight
[mm]	[in]	[kg]
25	1	3.20
40	1½	3.80
50	2	4.60
65	–	5.40
80	3	6.40
100	4	9.10

Weight in US units

DN		Weight
[mm]	[in]	[lbs]
25	1	7
40	1½	8
50	2	10
65	–	12
80	3	14
100	4	20

Remote version

Weight in SI units

DN		Weight
[mm]	[in]	[kg]
25	1	2.5
40	1½	3.1
50	2	3.9
65	–	4.7
80	3	5.7
100	4	8.4

Weight in US units

DN		Weight
[mm]	[in]	[kg]
25	1	6
40	1½	7
50	2	9
65	–	10
80	3	13
100	4	19

Measuring tube specification

Wafer version

Pressure rating EN (DIN), PN16

DN		Mounting bolts			Centering sleeves		Measuring tube	
[mm]	[in]		[mm]	[in]	Length		Internal diameter	
					[mm]	[in]	[mm]	[in]
25	1	4 × M12 ×	145	5.71	54	2.13	24	0.94
40	1½	4 × M16 ×	170	6.69	68	2.68	38	1.50
50	2	4 × M16 ×	185	7.28	82	3.23	50	1.97
65 ¹⁾	–	4 × M16 ×	200	7.87	92	3.62	60	2.36
65 ²⁾	–	8 × M16 ×	200	7.87	– ³⁾	–	60	2.36
80	3	8 × M16 ×	225	8.86	116	4.57	76	2.99
100	4	8 × M16 ×	260	10.24	147	5.79	97	3.82

- 1) EN (DIN) flange: 4-hole → with centering sleeves
- 2) EN (DIN) flange: 8-hole → without centering sleeves
- 3) A centering sleeve is not required. The device is centered directly via the sensor housing.

Pressure rating ASME, Class 150

DN		Mounting bolts			Centering sleeves		Measuring tube	
[mm]	[in]		[mm]	[in]	Length		Internal diameter	
					[mm]	[in]	[mm]	[in]
25	1	4 × UNC ½" ×	145	5.70	– ¹⁾	–	24	0.94
40	1½	4 × UNC ½" ×	165	6.50	–	–	38	1.50
50	2	4 × UNC 5/8" ×	190.5	7.50	–	–	50	1.97
80	3	8 × UNC 5/8" ×	235	9.25	–	–	76	2.99
100	4	8 × UNC 5/8" ×	264	10.4	147	5.79	97	3.82

- 1) A centering sleeve is not required. The device is centered directly via the sensor housing.

Pressure rating JIS, 10K

DN		Mounting bolts			Centering sleeves		Measuring tube	
[mm]	[in]		[mm]	[in]	Length		Internal diameter	
					[mm]	[in]	[mm]	[in]
25	1	4 × M16 ×	170	6.69	54	2.13	24	0.94
40	1 ½	4 × M16 ×	170	6.69	68	2.68	38	1.50
50	2	4 × M16 ×	185	7.28	– ¹⁾	–	50	1.97
65	–	4 × M16 ×	200	7.87	–	–	60	2.36
80	3	8 × M16 ×	225	8.86	–	–	76	2.99
100	4	8 × M16 ×	260	10.24	–	–	97	3.82

1) A centering sleeve is not required. The device is centered directly via the sensor housing.

Threaded connection*Pressure rating EN (DIN), PN16*

DN		Threaded connection	Wrench size		Measuring tube	
[mm]	[in]		Length		Internal diameter	
			[mm]	[in]	[mm]	[in]
25	1	G 1"	28	1.1	24	0.94
40	1 ½	G 1 ½"	50	1.97	38	1.50
50	2	G 2"	60	2.36	50	1.97

Pressure rating ASME, Class 150

DN		Threaded connection	Wrench size		Measuring tube	
[mm]	[in]		Length		Internal diameter	
			[mm]	[in]	[mm]	[in]
25	1	NPT 1"	28	1.1	24	0.94
40	1 ½	NPT 1 ½"	50	1.97	38	1.50
50	2	NPT 2"	60	2.36	50	1.97

Materials**Transmitter housing**

Order code for "Housing"

- Option A: compact, coated aluminum
- Option N: remote, polycarbonate
- Option P: remote, coated aluminum

Window material

- Order code for "Housing", option A: glass
- Order code for "Housing", option N: polycarbonate
- Order code for "Housing", option P: glass

Neck adapter

Order code for "Housing", option A: coated aluminum

Sensor connection housing

Order code for "Sensor connection housing"

Option A: aluminum, AlSi10Mg, coated

Cable glands and entries	
Cable gland M20×1.5	Plastic
Adapter for cable entry with internal thread G ½" or NPT ½"	Nickel-plated brass
Connecting cable for remote version	
	Electrode and coil current cable: PVC cable with copper shield
Sensor housing	
	Aluminum, AlSi10Mg, coated
Measuring pipe	
	Polyamide
Liner	
	Polyamide
Electrodes	
	Stainless steel: 1.4435 (316L)
Seals	
	As per DIN EN 1514-1, Form IBC
Process connections	
EN 1092-1 (DIN 2501)	1.4301/304
ASME B16.5	1.4301/304
JIS B2220	1.4301/304
DIN ISO 228, G" external thread	1.4301/304
ASME B1.20, NPT" external thread	1.4301/304
Accessories	
Protective cover	Stainless steel, 1.4404 (316L)
Pipe mounting set	Stainless steel 1.4301 (304)
Wall mounting kit	Stainless steel 1.4301 (304)

Mounting bolts

Tensile strength

- Galvanized steel mounting bolts: strength category 5.6 or 5.8
- Stainless steel mounting bolts: strength category A2-70

Fitted electrodes

Standard electrodes:
Measuring electrodes

Process connections

- EN 1092-1 (DIN 2501)
- ASME B16.5
- JIS B2220
- DIN ISO 228, G external thread
- ASME B1.20, NPT external thread

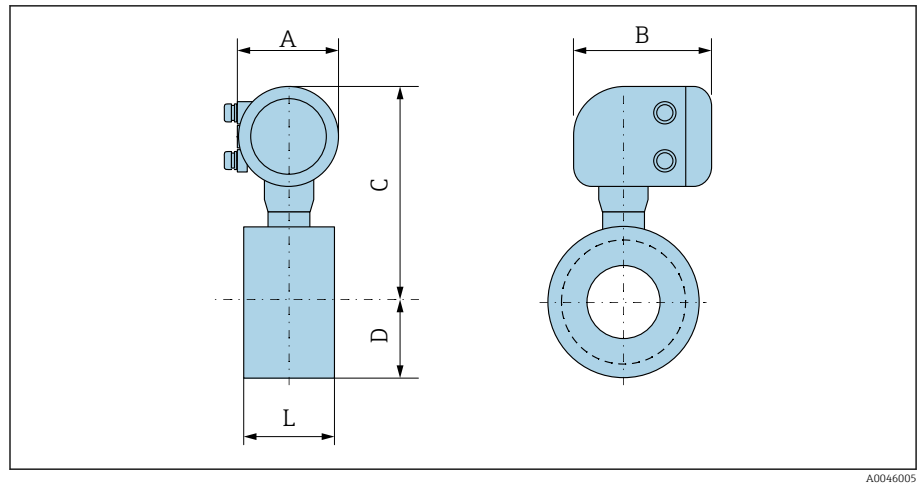
Dimensions in SI units

Compact version	56
Wafer version	56
Threaded version	57
Remote version	58
Transmitter remote version	58
Sensor remote version	59
Flange connections	61
Flange similar to EN 1092-1: PN 16	61
Flange similar to ASME B16.5: Class 150	62
Flange JIS B2220: 10K	63
Couplings	64
External thread: ISO 228	64
External thread: ASME B1.20.1	64
Accessories	65
Protective cover	65

Compact version

Wafer version

Order code for "Housing", option A "Compact, aluminum, coated"

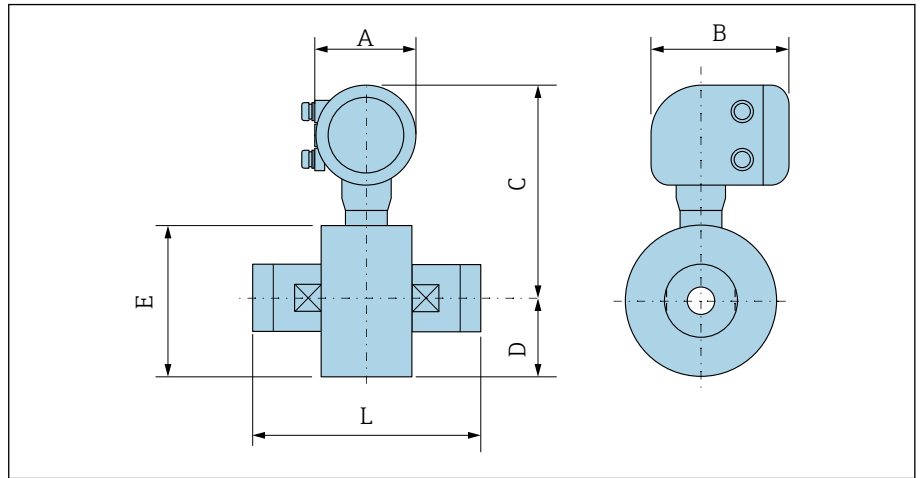


DN		A ¹⁾	B	C	D	L
[mm]	[in]	[mm]	[mm]	[mm]	[mm]	[mm]
25	1	139	178	259	43	55
40	1 ½	139	178	270	52	69
50	2	139	178	281	62	83
65	-	139	178	291	70	93
80	-	139	178	295	76	117
-	3	139	178	295	76	117
100	4	139	178	309	89	148

1) Depending on the cable entry used: values up to +30 mm

Threaded version

Order code for "Housing", option A "Compact, aluminum, coated"



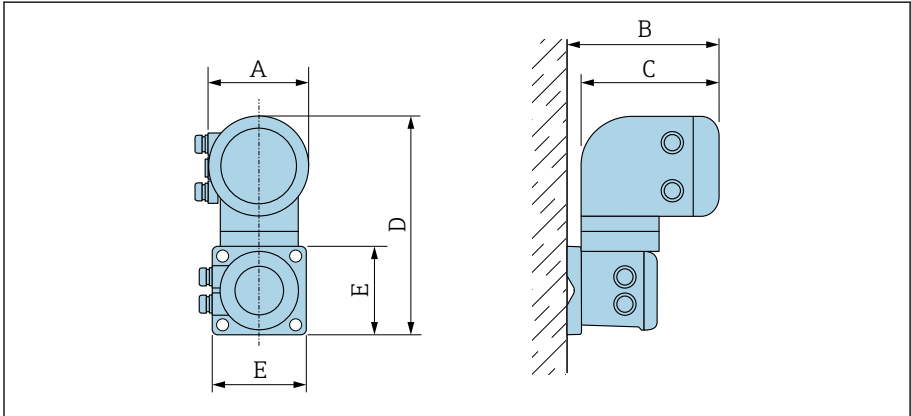
A0046007

DN		A ¹⁾	B	C	D	E	L
[mm]	[in]	[mm]	[mm]	[mm]	[mm]	[mm]	[mm]
25	1	139	178	259	43	86	110
40	1 ½	139	178	270	52	104	140
50	2	139	178	281	62	124	200

1) Depending on the cable entry used: values up to +30 mm

Remote version

Transmitter remote version



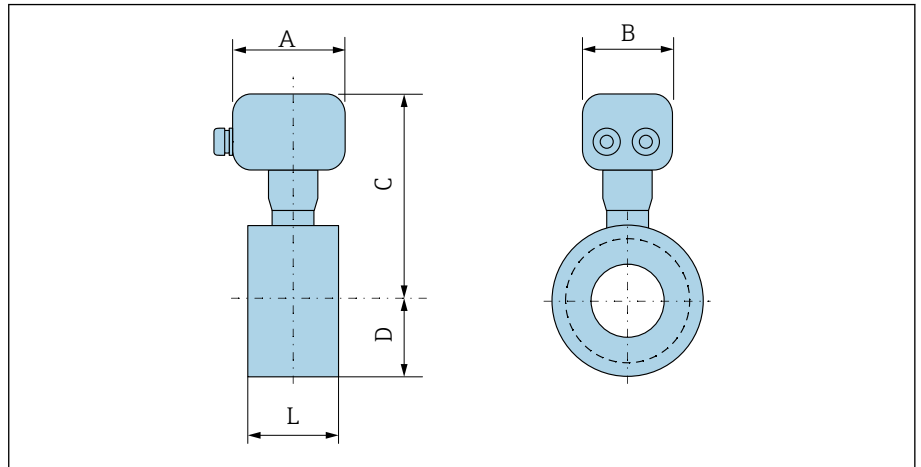
A0042715

Order code for "Housing"	A ¹⁾ [mm]	B [mm]	C [mm]	D [mm]	E [mm]
Option N "Remote, polycarbonate"	132	187	172	307	130
Option P and T "Remote, coated aluminum"	139	185	178	309	130

1) Depending on the cable entry used: values up to + 30 mm

Sensor remote version

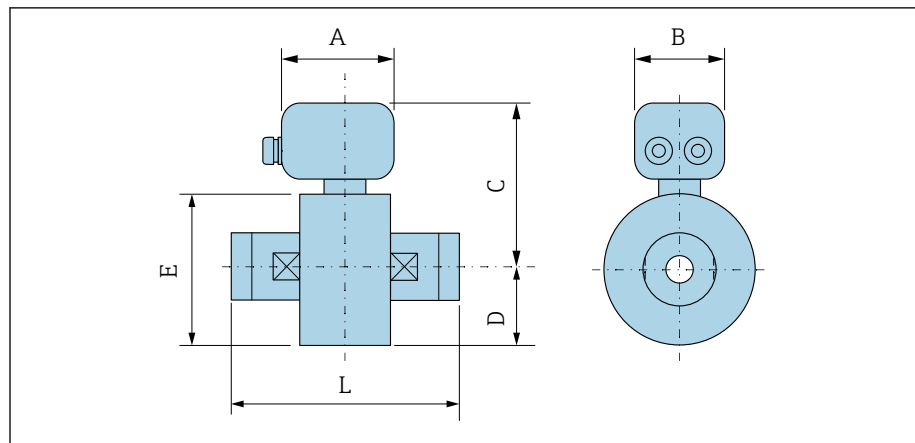
Wafer version



A0045564

DN		A ¹⁾	B	C	D	L
[mm]	[in]	[mm]	[mm]	[mm]	[mm]	[mm]
25	1	113	112	199	43	55
40	1 ½	113	112	210	52	69
50	2	113	112	221	62	83
65	–	113	112	231	70	93
80	–	113	112	235	76	117
–	3	113	112	235	76	117
100	4	113	112	249	89	148

1) Depending on the cable entry used: values up to +30 mm

Threaded connection

DN		A ¹⁾	B	C	D	E	L
[mm]	[in]	[mm]	[mm]	[mm]	[mm]	[mm]	[mm]
25	1	113	112	199	43	86	110
40	1 ½	113	112	210	52	104	140
50	2	113	112	221	62	124	200

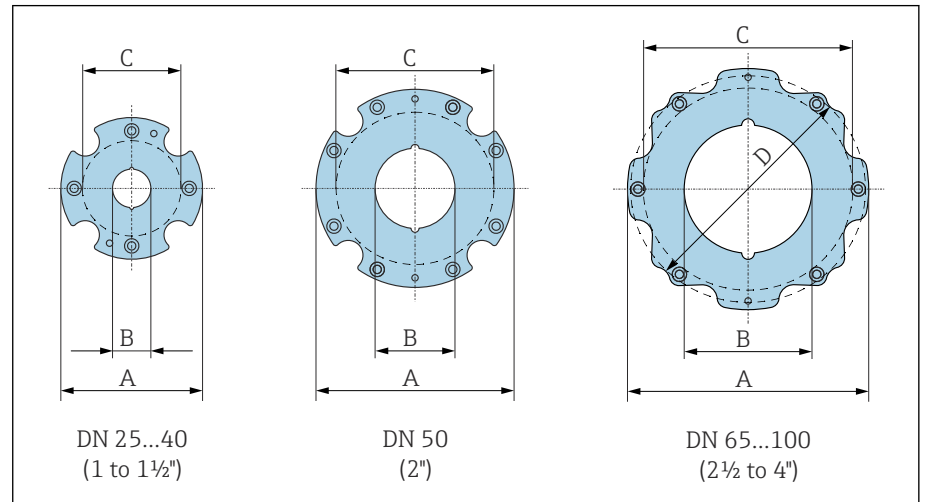
1) Depending on the cable entry used: values up to +30 mm

Flange connections

Flange similar to EN 1092-1: PN 16

Order code for "Process connection", option D3Z

Dimension B: Internal diameter depends on the liner → *Measuring tube specification*, 51

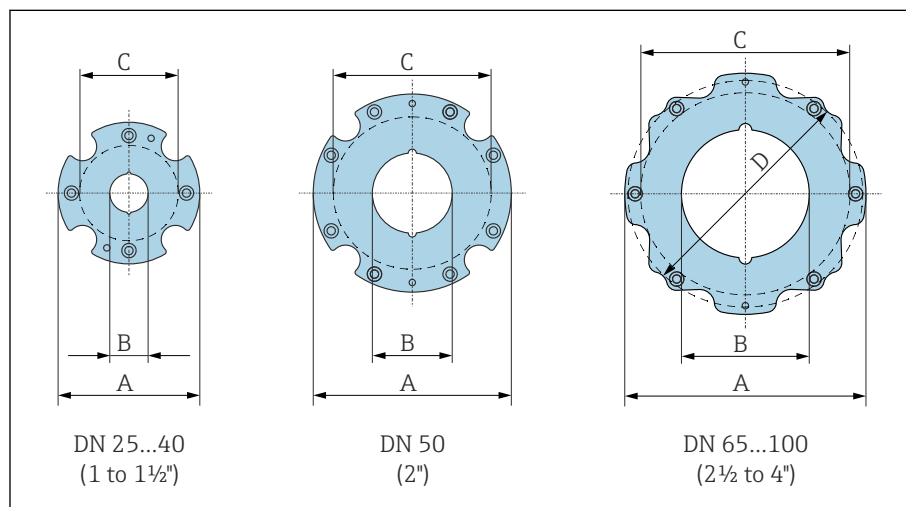


DN [mm]	A [mm]	B [mm]	C ¹⁾ [mm]
25	86	24	68
40	105	38	87
50	124	50	106
65	139	60	125
80	151	76	135
100	179	97	160

1) Max. Ø seals

Flange similar to ASME B16.5: Class 150

Order code for "Process connection", option A1Z

Dimension B: internal diameter depends on the liner → *Measuring tube specification*, 51

A0046000

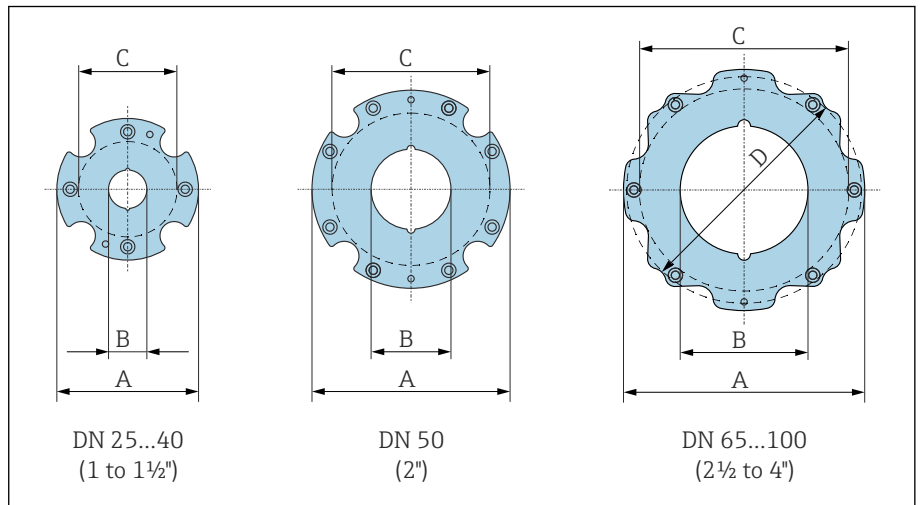
DN [in]	A [mm]	B [mm]	C ¹⁾ [mm]	D [mm]
1	86	24	68	-
1 ½	105	38	87	-
2	124	50	106	-
3	151	76	135	138
4	179	97	160	-

1) Max. Ø seals

Flange JIS B2220: 10K

Order code for "Process connection", option N3Z

Mass B: internal diameter depends on the liner → *Measuring tube specification*, 51



A0046000

DN [mm]	A [mm]	B [mm]	C ¹⁾ [mm]
25	86	24	68
40	105	38	87
50	124	50	106
65	139	60	125
80	151	76	135
100	179	97	160

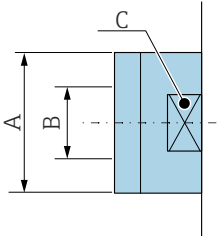
1) Max. Ø seals

Couplings

External thread: ISO 228

Order code for "Process connection", option I4S

Mass B: internal diameter depends on the liner → *Measuring tube specification*, 51



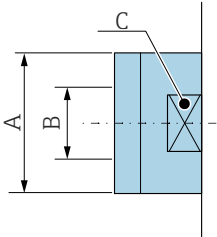
A0046008

DN [mm]	A [in]	B [mm]	C [mm]
25	G 1"	22	28
40	G 1 ½"	34.4	50
50	G 2"	43	60

External thread: ASME B1.20.1

Order code for "Process connection", option I5S

Mass B: internal diameter depends on the liner → *Measuring tube specification*, 51

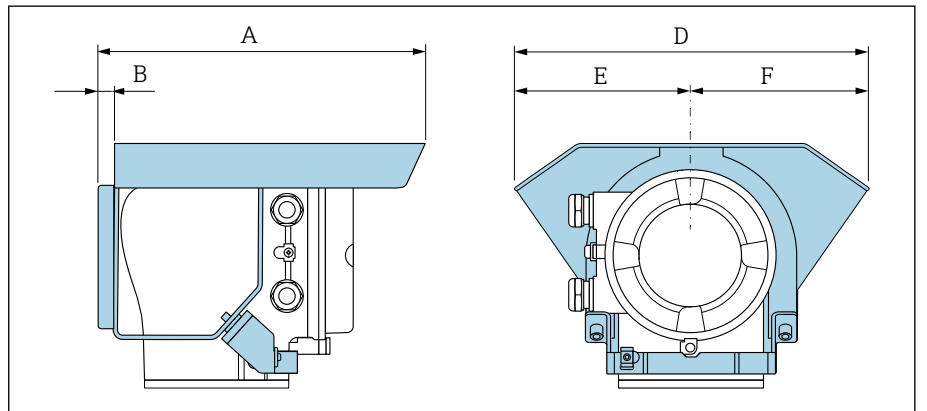


A0046008

DN [in]	A [in]	B [mm]	C [mm]
1	NPT 1"	22	28
1 ½	NPT 1 ½"	34.4	50
2	NPT 2"	43	60

Accessories

Protective cover



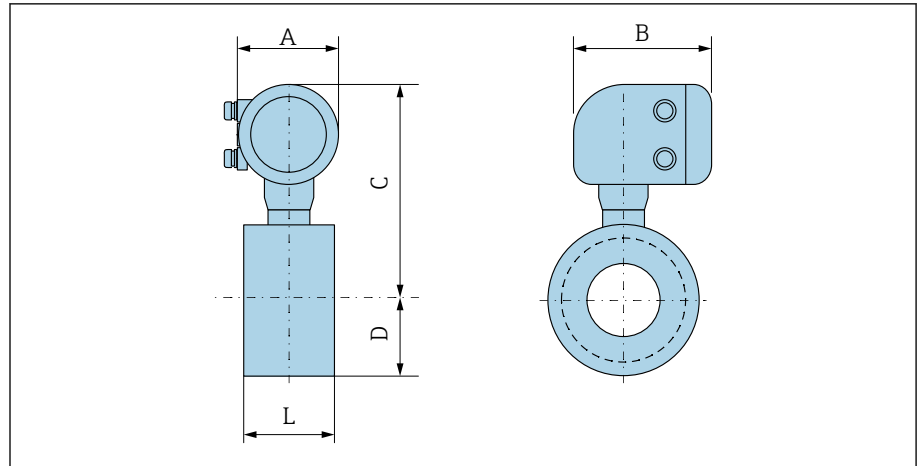
A0042332

A [mm]	B [mm]	D [mm]	E [mm]	F [mm]
257	12	280	140	140



Dimensions in US units

Compact version	68
Wafer version	68
Threaded version	69
Remote version	70
Transmitter remote version	70
Sensor remote version	71
Flange connections	73
Flange similar to ASME B16.5: Class 150	73
Couplings	74
External thread: ASME B1.20.1	74
Accessories	75
Protective cover	75

Compact version**Wafer version***Order code for "Housing", option A "Compact, aluminum, coated"*

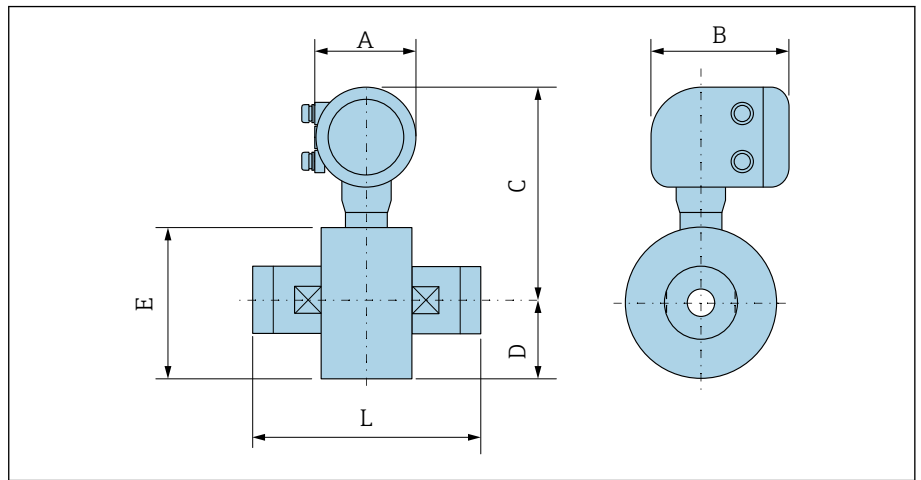
A0046005

DN [in]	A ¹⁾ [in]	B [in]	C [in]	D [in]	L [in]
1	5.47	7.01	10.2	1.69	2.17
1 ½	5.47	7.01	10.63	2.05	2.72
2	5.47	7.01	11.06	2.44	3.27
3	5.47	7.01	11.61	2.99	4.61
4	5.47	7.01	12.17	3.5	5.83

1) Depending on the cable entry used: values up to +1.18 in

Threaded version

Order code for "Housing", option A "Compact, aluminum, coated"



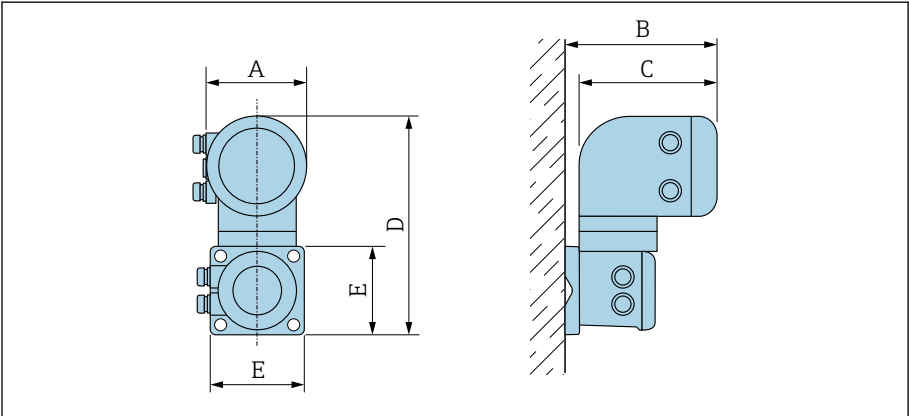
A0046007

DN [in]	A ¹⁾ [in]	B [in]	C [in]	D [in]	E [in]	L [in]
1	5.47	7.01	10.2	1.69	3.39	4.33
1 ½	5.47	7.01	10.63	2.05	4.09	5.51
2	5.47	7.01	11.06	2.44	4.88	7.87

1) Depending on the cable entry used: values up to +1.18 in

Remote version

Transmitter remote version



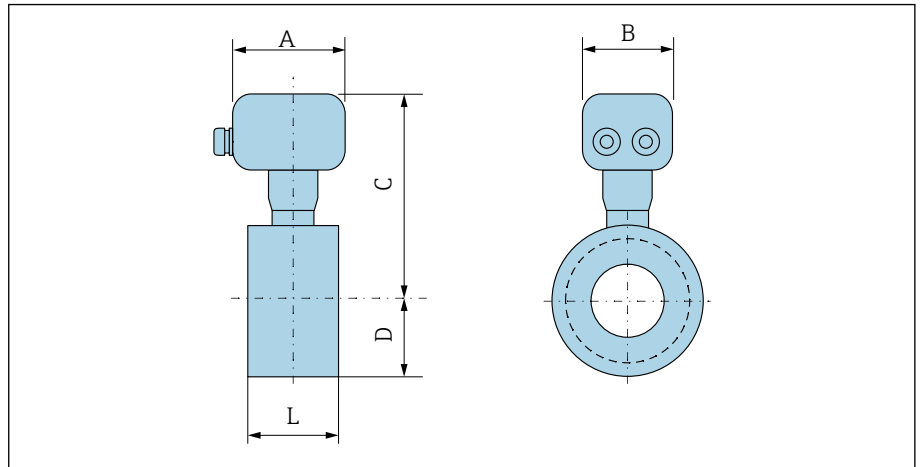
A0042715

Order code for "Housing"	A ¹⁾ [in]	B [in]	C [in]	D [in]	E [in]
Option N "Remote, polycarbonate"	5.2	7.36	6.77	12.09	5.12
Option P and T "Remote, coated aluminum"	5.47	7.28	7.01	12.17	5.12

1) Depending on the cable entry used: values up to +1.18 in

Sensor remote version

Wafer version

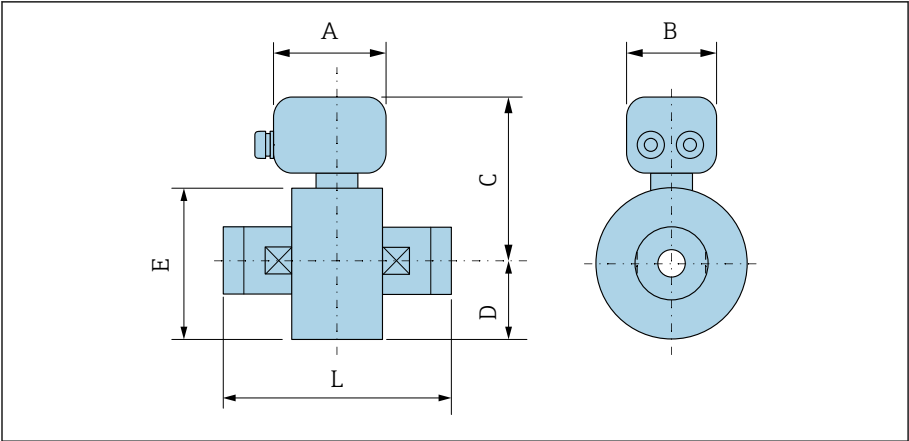


A0045564

DN [in]	A ¹⁾ [in]	B [in]	C [in]	D [in]	L [in]
1	4.45	4.41	7.83	1.69	2.17
1 ½	4.45	4.41	8.27	2.05	2.72
2	4.45	4.41	8.7	2.44	3.27
3	4.45	4.41	9.25	2.99	4.61
4	4.45	4.41	9.8	3.5	5.83

1) Depending on the cable entry used: values up to +1.18 in

Threaded connection



DN [in]	A ¹⁾ [in]	B [in]	C [in]	D [in]	E [in]	L [in]
1	4.45	4.41	7.83	1.69	3.39	4.33
1 ½	4.45	4.41	8.27	2.05	4.09	5.51
2	4.45	4.41	8.7	2.44	4.88	7.87

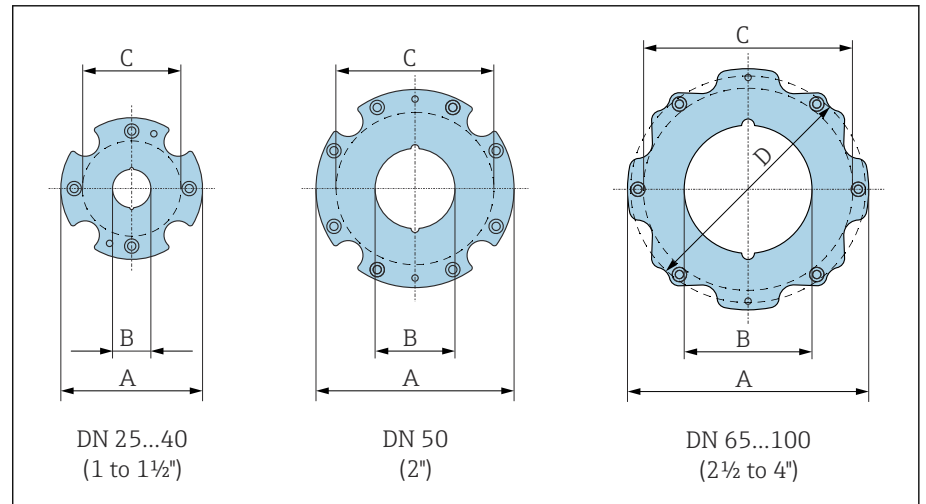
1) Depending on the cable entry used: values up to +1.18 in

Flange connections

Flange similar to ASME B16.5: Class 150

Order code for "Process connection", option A1Z

Dimension B: Internal diameter depends on liner → *Measuring tube specification*, 51



A0046000

DN [in]	A [in]	B [in]	C ¹⁾ [in]	D [in]
1	3.39	0.94	2.68	-
1 ½	4.13	1.5	3.43	-
2	4.88	1.97	4.17	-
3	5.94	2.99	5.31	5.43
4	7.05	3.82	6.3	-

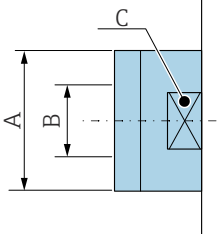
1) Max. Ø seals

Couplings

External thread: ASME B1.20.1

Order code for "Process connection", option I5S

Mass B: internal diameter depends on the liner → *Measuring tube specification*, 51

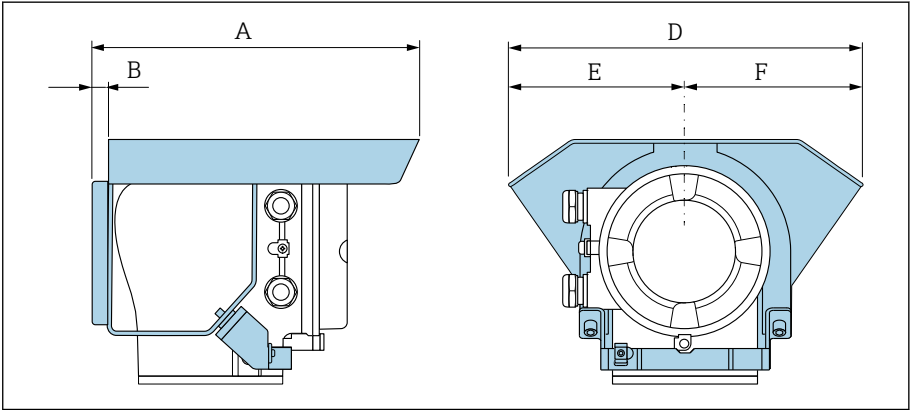


DN [in]	A [in]	B [mm]	C [mm]
1	NPT 1"	22	28
1 ½	NPT 1 ½"	34.4	50
2	NPT 2"	43	60

A0046008

Accessories

Protective cover



A0042332

A [in]	B [in]	D [in]	E [in]	F [in]
10.12	0.47	11.02	5.51	5.51



Local display

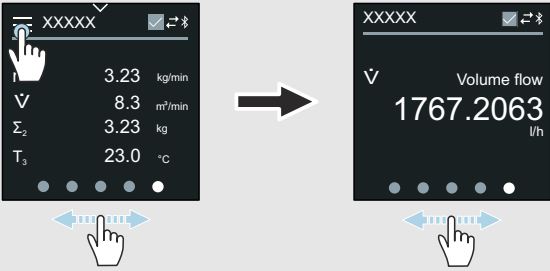
Operation concept	78
Operation options	78
Operating tools	79

Operation concept

Operation method	Operation via local display with touch screen ¹⁾
Reliable operation	<ul style="list-style-type: none"> ▪ Operation in local language ▪ Standardized operating concept on the device and in the SmartBlue app ▪ Write protection ▪ When electronics modules are replaced: configurations are transferred using the T-DAT Backup device memory. The device memory contains process data, device data and the event logbook. No reconfiguration is necessary.
Diagnostic behavior	<p>Efficient diagnostic behavior increases measurement availability:</p> <ul style="list-style-type: none"> ▪ Open troubleshooting measures via local display and SmartBlue app. ▪ Diverse simulation options ▪ Logbook of events that have occurred.

1) Only for communication protocols HART and Modbus RS485

Operation options

Local display	 <p>4 Only for HART and Modbus RS485 communication protocols</p> <p>Display elements:</p> <ul style="list-style-type: none"> ▪ LCD touch screen ¹⁾ ▪ Depends on the orientation, automatic alignment of the local display ▪ Configuration of display format for measured variables and status variables <p>Operating elements:</p> <ul style="list-style-type: none"> ▪ Touch screen ¹⁾ ▪ Local display can also be accessed in the hazardous area.
SmartBlue app	<ul style="list-style-type: none"> ▪ The SmartBlue app allows the user to put devices into operation and operate them. ▪ Based on Bluetooth ▪ No separate driver required ▪ Available for mobile handheld terminals, tablets and smartphones ▪ Suitable for convenient and secure access to devices in hard-to-reach locations or in hazardous areas ▪ Can be used within a 20 m (65.6 ft) radius of the device ▪ Encrypted and secure data transmission ▪ No data loss during commissioning and maintenance ▪ Diagnostic information and process information in real time

1) Only for HART and Modbus RS485 communication protocols

Operating tools

Operating tools	Operating unit	Interface	Additional information
DeviceCare SFE100	<ul style="list-style-type: none"> ▪ Notebook ▪ PC ▪ Tablet with Microsoft Windows system 	<ul style="list-style-type: none"> ▪ CDI service interface ▪ Fieldbus protocol 	Innovation brochure IN01047S
FieldCare SFE500	<ul style="list-style-type: none"> ▪ Notebook ▪ PC ▪ Tablet with Microsoft Windows system 	<ul style="list-style-type: none"> ▪ CDI service interface ▪ Fieldbus protocol 	Operating Instructions BA00027S and BA00059S
SmartBlue app	<ul style="list-style-type: none"> ▪ Devices with iOS: iOS9.0 or higher ▪ Devices with Android: Android 4.4 KitKat or higher 	Bluetooth	Endress+HauserSmartBlue App: <ul style="list-style-type: none"> ▪ Google Playstore (Android) ▪ iTunes Apple Shop (iOS devices)
Device Xpert	Field Xpert SFX 100/350/370	HART fieldbus protocol	Operating Instructions BA01202S



Certificates and approvals

Non-Ex approval	82
Pressure Equipment Directive	82
Drinking water approval	82
HART certification	82
Radio approval	82
External standards and guidelines	82

Non-Ex approval

- cSAus
- EAC
- UKCA

Pressure Equipment Directive

- CRN
- PED Cat. II/III
- PESR Cat. II/III

Drinking water approval

- ACS
- KTW/W270
- NSF 61
- WRAS BS 6920

HART certification

The device is certified and registered by the FieldComm Group. The measuring system meets all the requirements of the following specifications:

- Certified according to HART 7
- The device can also be operated with certified devices of other manufacturers (interoperability).

Radio approval

The device has radio approvals.

External standards and guidelines

- IEC/EN 60529
Degrees of protection provided by enclosure (IP code)
- IEC/EN 60068-2-6
Environmental influences: Test procedure - Test Fc: vibrate (sinusoidal)
- IEC/EN 60068-2-31
Environmental influences: Test procedure - Test Ec: shocks due to rough handling, primarily for devices.
- IEC/EN 61010-1
Safety requirements for electrical equipment for measurement, control and laboratory use - general requirements.
- CAN/CSA-C22.2 No. 61010-1-12
Safety Requirements for Electrical Equipment for Measurement, Control and Laboratory Use - Part 1 General Requirements.
- IEC/EN 61326
Emission in accordance with Class A requirements. Electromagnetic compatibility (EMC requirements)
- ANSI/ISA-61010-1 (82.02.01)
Safety Requirements for Electrical Equipment for Measurement, Control and Laboratory Use - Part 1 General Requirements.
- NAMUR NE 21
Electromagnetic compatibility (EMC) of industrial process and laboratory control equipment.
- NAMUR NE 32
Data retention in the event of a power failure in field devices and control instruments with microprocessors.
- NAMUR NE 43
Standardization of the signal level for the breakdown information of digital transmitters with analog output signal.
- NAMUR NE 53
Software of field devices and signal-processing devices with digital electronics.
- NAMUR NE 105
Specifications for integrating fieldbus devices in engineering tools for field devices.

- NAMUR NE 107
Self-monitoring and diagnosis of field devices.
- NAMUR NE 131
Requirements for field devices for standard applications.
- ETSI EN 300 328
Guidelines for 2.4 GHz radio components
- EN 301489
Electromagnetic compatibility and radio spectrum matters (ERM).

Application packages

Use	86
Heartbeat Verification + Monitoring	86

Use

Many different application packages are available to enhance the functionality of the device. Such packages might be needed to address safety aspects or specific application requirements.

The application packages can be ordered with the device or subsequently from Endress+Hauser. Detailed information on the relevant order code is available from your local Endress+Hauser sales organization or on the product page of the Endress+Hauser website: www.endress.com.

Heartbeat Verification + Monitoring

Heartbeat Verification

Availability depends on the product structure.

Meets the requirement for traceable verification according to DIN ISO 9001:2008 Clause 7.6 a) "Control of monitoring and measuring equipment":

- Functional testing in the installed state without interrupting the process.
- Traceable verification results on request, including report.
- Simple testing process with local operation or other operating interfaces
- Clear measuring point assessment (pass/fail) with high total test coverage within the framework of manufacturer specifications.
- Extension of calibration intervals according to operator's risk evaluation

Heartbeat Monitoring

Availability depends on the product structure.

Heartbeat Monitoring continuously provides data characteristic of the measuring principle to an external condition monitoring system, facilitating preventive maintenance or process analysis. These data enable the operator to:




- Draw conclusions - using these data and other information - about the impact the process influences, e.g. corrosion, abrasion, formation of buildup, have on the measuring performance over time.
- Schedule servicing in time.
- Monitor the process quality or product quality, e.g. gas pockets.

Accessories

Device-specific accessories	88
Communication-specific accessories	89
Service-specific accessory	89
System components	90

Device-specific accessories








Transmitter

Accessories	Description	Order code
Proline 10 transmitter	 Installation Instructions EA01350D	5XBBXX-*...*
Weather protection cover	Protects the device from weather exposure:  Installation Instructions EA01351D	71502730
Connecting cable	Can be ordered with the device. The following cable lengths are available: order code for "Cable, sensor connection" <ul style="list-style-type: none"> ▪ 5 m (16 ft) ▪ 10 m (32 ft) ▪ 20 m (65 ft) ▪ User-configurable cable length, m (ft)  Max. cable length: 200 m (660 ft)	DK5013-*...*

Sensor



Accessories	Description
Mounting kit for wafer version	Consists of: <ul style="list-style-type: none"> ▪ Mounting bolts ▪ Nuts with washers ▪ Flange seals ▪ Centering sleeves (if required for the flange)
Seal set	Consists of: 2 flange seals

Communication-specific accessories



Accessories	Description
Commubox FXA195 USB/HART modem	Intrinsically safe HART communication with FieldCare and FieldXpert  Technical Information TI00404F
Commubox FXA291	Connects the Endress+Hauser devices with the CDI interface (= Endress+Hauser Common Data Interface) to the USB interface of a personal computer or laptop.  Technical Information TI405C/07
HART Loop Converter HMX50	Is used to evaluate and convert dynamic HART process variables to analog current signals or limit values.  <ul style="list-style-type: none"> ▪ Technical Information TI00429F ▪ Operating Instructions BA00371F
Fieldgate FXA42	Transmission of measured values from connected 4 to 20 mA analog and digital devices.  <ul style="list-style-type: none"> ▪ Technical Information TI01297S ▪ Operating Instructions BA01778S ▪ Product page: www.endress.com/fxa42
Field Xpert SMT50	The Field Xpert SMT50 table PC for device configuration enables mobile plant asset management. It is suitable for commissioning and maintenance staff to manage field instruments with a digital communication interface and to record progress. This tablet PC is designed as an all-in-one solution with a preinstalled driver library and is an easy-to-use, touch-sensitive tool which can be used to manage field instruments throughout their entire life cycle.  <ul style="list-style-type: none"> ▪ Technical Information TI01555S ▪ Operating Instructions BA02053S ▪ Product page: www.endress.com/smt50
Field Xpert SMT70	Tablet PC for the configuration of the device. Enables mobile Plant Asset Management to manage the devices with a digital communication interface. Suitable for Zone 2.  <ul style="list-style-type: none"> ▪ Technical Information TI01342S ▪ Operating Instructions BA01709S ▪ Product page: www.endress.com/smt70
Field Xpert SMT77	Tablet PC for the configuration of the device. Enables mobile Plant Asset Management to manage the devices with a digital communication interface. Suitable for Zone 1.  <ul style="list-style-type: none"> ▪ Technical Information TI01418S ▪ Operating Instructions BA01923S ▪ Product page: www.endress.com/smt77

Service-specific accessory

Accessories	Description	Order code
Applicator	Software for selecting and sizing Endress+Hauser devices.	https://portal.endress.com/webapp/applicator
Netilion	IloT ecosystem: Unlock knowledge With the Netilion IloT ecosystem, Endress+Hauser allows you to optimize your plant performance, digitize workflows, share knowledge, and enhance collaboration. Drawing upon decades of experience in process automation, Endress+Hauser offers the process industry an IloT ecosystem designed to effortlessly extract insights from data. These insights can be used to optimize processes, leading to increased plant availability, efficiency, and reliability - ultimately driving higher profitability for your plant.	www.netilion.endress.com

Accessories	Description	Order code
FieldCare	FDT-based plant asset management software from Endress+Hauser. Management and configuration of Endress+Hauser devices.  Operating Instructions BA00027S and BA00059S	<ul style="list-style-type: none"> ▪ Device driver: www.endress.com → Download Area ▪ CD-ROM (contact Endress+Hauser) ▪ DVD (contact Endress+Hauser)
DeviceCare	Software for connecting and configuring Endress+Hauser devices.  Innovation brochure IN01047S	<ul style="list-style-type: none"> ▪ Device driver: www.endress.com → Download Area ▪ CD-ROM (contact Endress+Hauser) ▪ DVD (contact Endress+Hauser)

System components

Accessories	Description
Memograph M	Graphic data manager: <ul style="list-style-type: none"> ▪ Record measured values ▪ Monitor limit values ▪ Analyze measuring points  <ul style="list-style-type: none"> ▪ Technical Information TI00133R ▪ Operating Instructions BA00247R
iTEMP	Temperature transmitter: <ul style="list-style-type: none"> ▪ Measure the absolute pressure and gauge pressure of gases, vapors and liquids ▪ Read the medium temperature  "Fields of Activity" document FA00006T



www.addresses.endress.com
